

JOSAM

Pre-Fab Water Closet Gasket



Benefits & Ordering Information

- Easier adjustment of drainage fitting in the field after shop installation – no rolling
- Thicker gasket and ribbing for better surface contact between faceplate and fitting
- Can be ordered optionally on Josam PF, O-Ring or Compression ring carriers by specifying –PFG option
- Can be ordered as a part by ordering part #076285T
- For further details please contact your local Josam Representative or visit www.JOSAM.com

Josam Company | **p 800-36-JOSAM** | **f 800-627-0008** | **www.JOSAM.com**

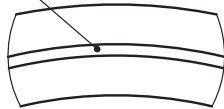
 **WARNING:** Cancer and Reproductive Harm - www.p65warnings.ca.gov

JOSAM

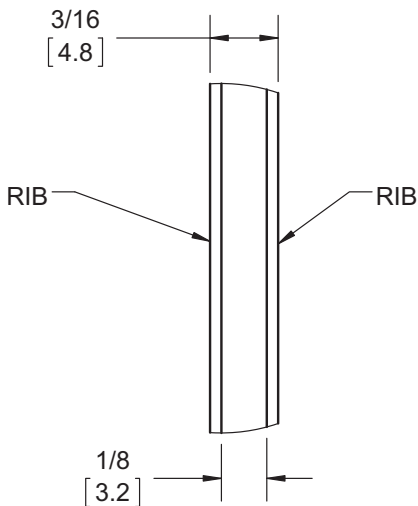
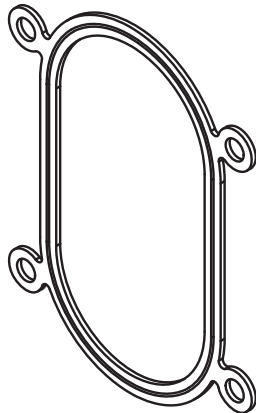
Pre-Fab Water Closet Gasket

STANDARD CLOSET CARRIER GASKET

1 RAISED
ROUNDED RIB



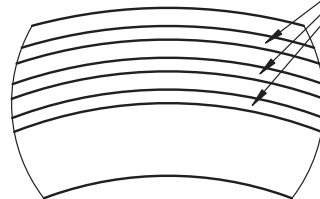
FRONT VIEW
RIB DETAIL



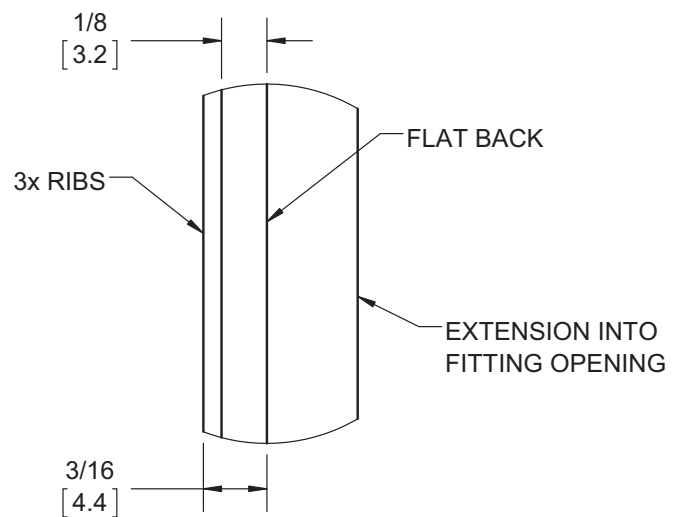
SIDE VIEW
THICKNESS DETAIL

-PFG CLOSET CARRIER GASKET

3 RAISED
FLAT RIBS



FRONT VIEW
RIB DETAIL



SIDE VIEW
THICKNESS DETAIL

Dimensions are subject to manufacturer's tolerances and subject to change without notice.
Josam Company assumes no responsibility for the use of superseded or voided data.

Josam Company | **p 800-36-JOSAM** | **f 800-627-0008** | **www.JOSAM.com**

⚠ WARNING: Cancer and Reproductive Harm - www.p65warnings.ca.gov