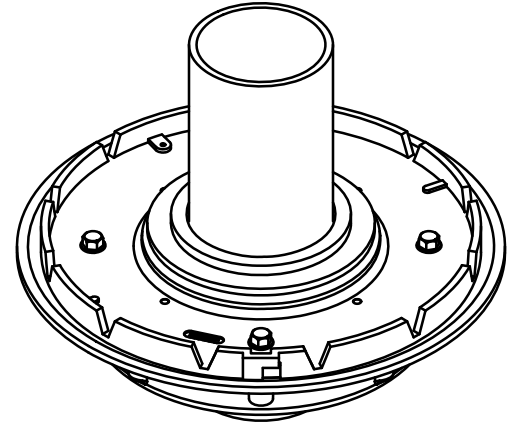
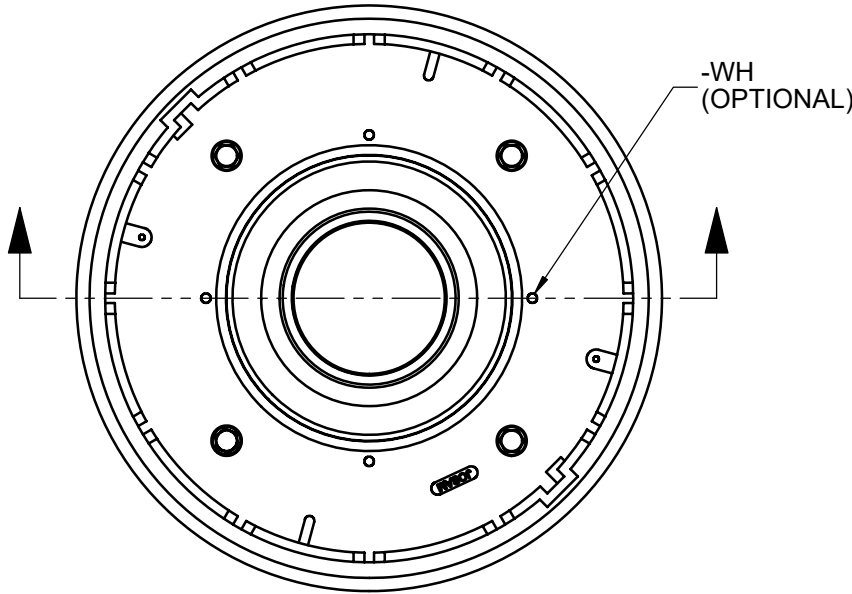


SPECIFICATION:

JOSAM 29000 SERIES COATED CAST IRON ISOLATION DECK DRAIN, NON-PUNCTURING CLAMP RING FOR STANDPIPE AND BOTTOM OUTLET.

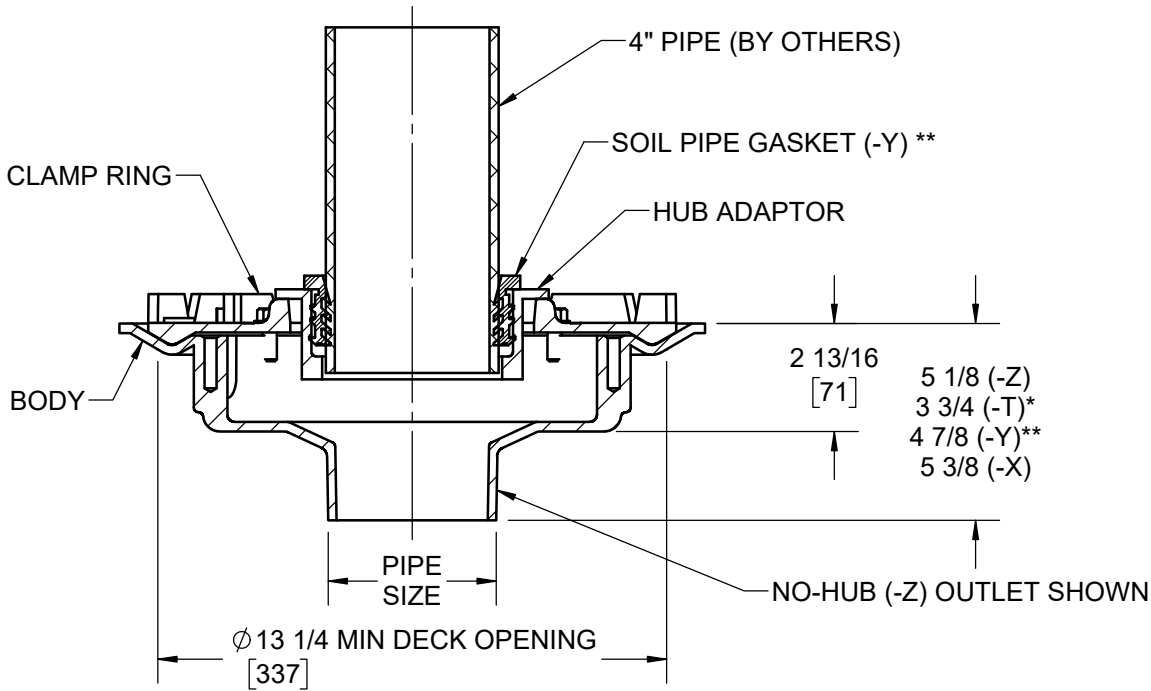
**ROOF DRAIN
ISOLATION DECK**

SERIES **29000**



*THIS DIMENSION IS 5-3/4" ON 8" THREADED OUTLET

** GASKET CONFORMS WITH ASTM-C564



PIPE SIZE
2"
3"
4"
5"
6"
8"

-1	DECK CLAMP ASSEMBLY
-1C	DRAIN RECEIVER CLIPS (MIN. DECK OPENING $\phi 16$)
-CR	CLAMPING DRAIN RECEIVER (MIN. DECK OPENING $\phi 16$)
-2	DRAIN RECEIVER
-3	DECK CLAMP ASSEMBLY AND DRAIN RECEIVER
-3C	DRAIN RECEIVER AND DRAIN RECEIVER CLIPS
-17	2" HIGH SOLID CLAMPING COLLAR

-20	GALVANIZED CAST IRON PARTS
-66	NO-HUB SIDE OUTLET (2" THRU 6" OUTLETS ONLY)
-T	THREADED OUTLET
-X	INSIDE CAULK OUTLET
-Y	HUB OUTLET W/ GASKET (2", 3" & 4" SIZES ONLY)
-Z	NO-HUB SPIGOT OUTLET
-WH	WEEP HOLES

DATE OF LAST CHANGE: 05/20/21

DIMENSIONS ARE SUBJECT TO MANUFACTURERS TOLERANCES AND CHANGE WITHOUT NOTICE. WE CAN ASSUME NO RESPONSIBILITY FOR USE OF SUPERSEDED OR VOID DATA.

JOSAM
MICHIGAN CITY, INDIANA

NOTES