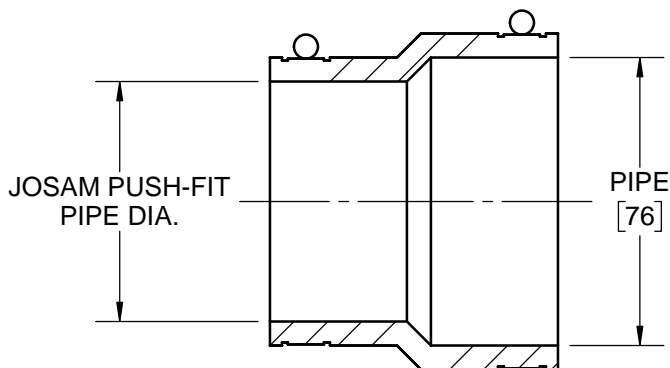
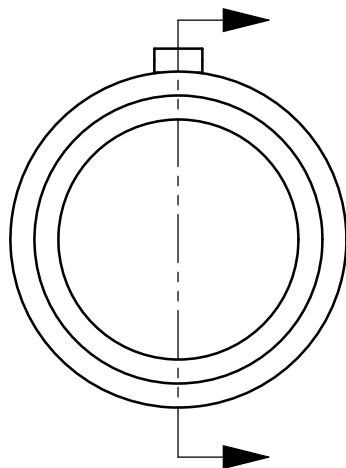


SPECIFICATION:

JOSAM PUSH-FIT™ TRANSITION COUPLING TO FIT NOMINAL SIZE PIPE CONNECTIONS.

**SS ACCESSORY
TRANSITION COUPLING**

SERIES **JA-4100**



ACTUAL PART SHAPE AND INSTALLTION ORIENTATION MAY DIFFER FROM WHAT IS SHOWN.

PART NO.	JOSAM PUSH-FIT PIPE ϕ	PIPE	SHIELD
JA-4100	1-1/2"	1-1/2" COPPER	
JA-4101	1-1/2"	1-1/2" NH/SCH40/GLASS	
JA-4200	2"	2" NH/SV/COPPER	
JA-4201	2"	2" NH/SV/XH/SCH40/GLASS	X
JA-4300	3"	3" NH/SV/XH/SCH40/GLASS	X
JA-4301	3"	3" COPPER	X
JA-4400	4"	4" NH/SV/XH/SCH40/GLASS	X
JA-4401	4"	4" COPPER	
JA-4402	4"	4" DURIRON	
JA-4600	6"	6" NH/SV/XH/SCH40/GLASS	X
JA-4601	6"	6" COPPER	X
JA-4602	6"	6" GLASS	X
JA-4800	8"	8" NH/SV/SCH40	X
JA-4801	8"	8" COPPER	X

DIMENSIONS IN INCHES [mm] UNLESS OTHERWISE NOTED.

DATE OF LAST CHANGE: 7/19/18

DIMENSIONS ARE SUBJECT TO MANUFACTURERS TOLERANCES AND CHANGE WITHOUT NOTICE. WE CAN ASSUME NO RESPONSIBILITY FOR USE OF SUPERSEDED OR VOID DATA.

JOSAM
MICHIGAN CITY, INDIANA

NOTES