

SPECIFICATION:

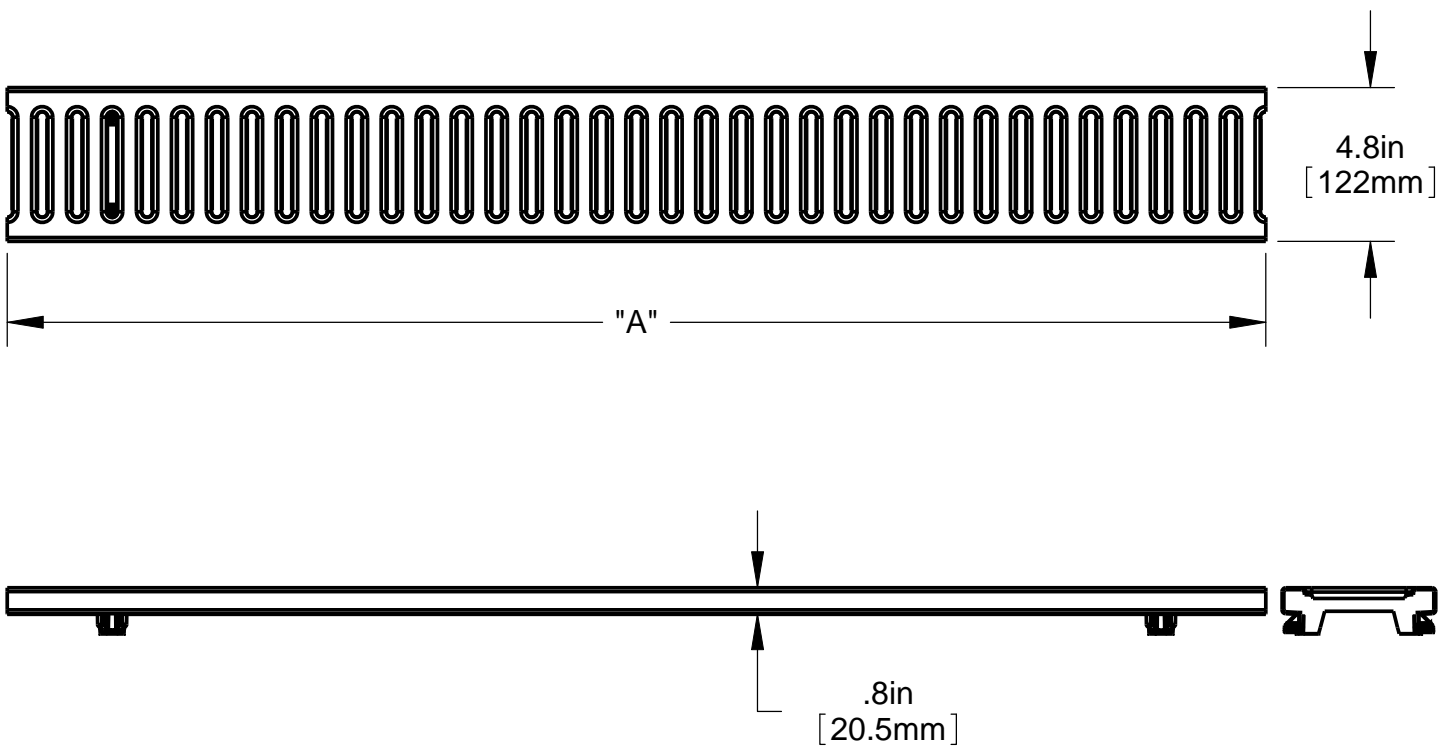
MEA-JOSAM GALVANIZED STEEL SLOTTED GRATE WITH STARFIX SECURING FEATURE AND CLASS C LOAD RATING (56,000 LBS. - 1,162 PSI).

**GRATE
STARFIX**

SERIES 140136/140138

SLOT SIZE: 3.3 X 0.3

PART NO.	"A"
140136	39.3 [998]
140138	19.6 [499]



DATE OF LAST CHANGE: 03/12/09

DIMENSIONS ARE SUBJECT TO MANUFACTURERS TOLERANCES AND CHANGE WITHOUT NOTICE. WE CAN ASSUME NO RESPONSIBILITY FOR USE OF SUPERSEDED OR VOID DATA.

JOSAM COMPANY
MICHIGAN CITY, INDIANA

NOTES