

SPECIFICATION:

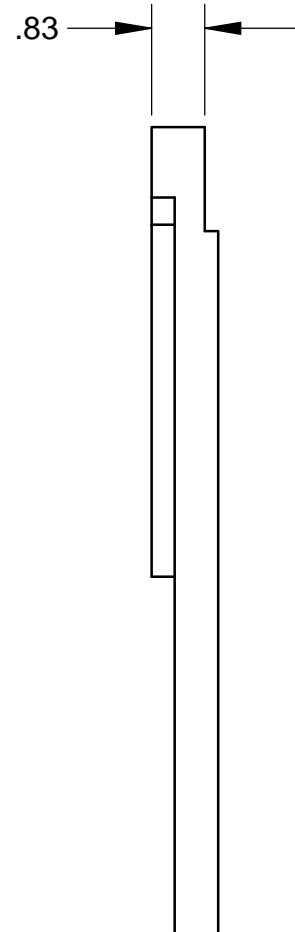
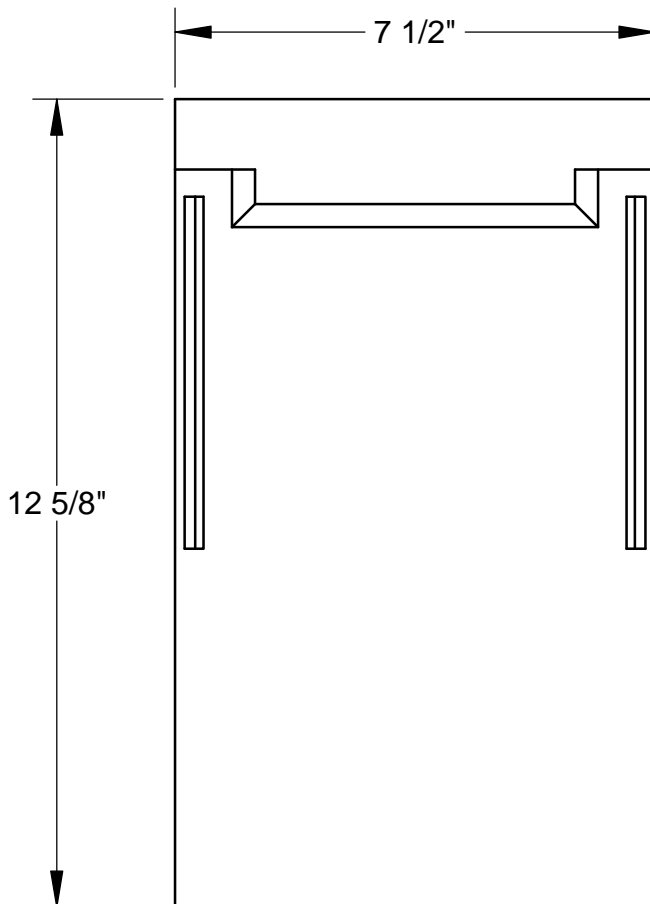
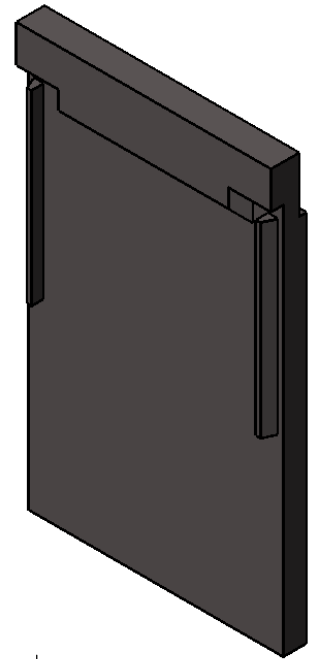
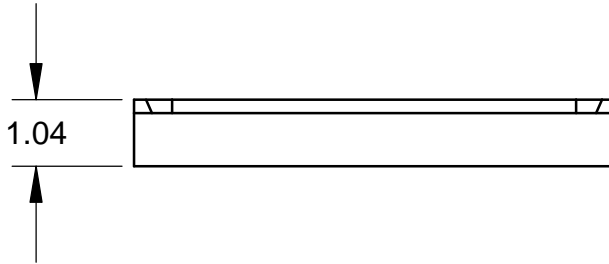
MEA-JOSAM ENDCAP FOR EN1500 SERIES POLYMER CONCRETE TRENCH DRAIN SYSTEM. CAN BE USED FOR CHANNEL START OR END.

TRENCHENDCAP

EN1500

SERIES

153143



DATE OF LAST CHANGE: 5/5/2011

DIMENSIONS ARE SUBJECT TO MANUFACTURERS TOLERANCES AND CHANGE WITHOUT NOTICE. WE CAN ASSUME NO RESPONSIBILITY FOR USE OF SUPERSEDED OR VOID DATA.

JOSAM COMPANY
MICHIGAN CITY, INDIANA

NOTES