

SPECIFICATION:

MEA-JOSAM ENDCAP OUTLETS FOR ALL EN1500 CHANNELS.
6" OUTLET IS MADE OF HDPE AND INCLUDES A SEALING RING.

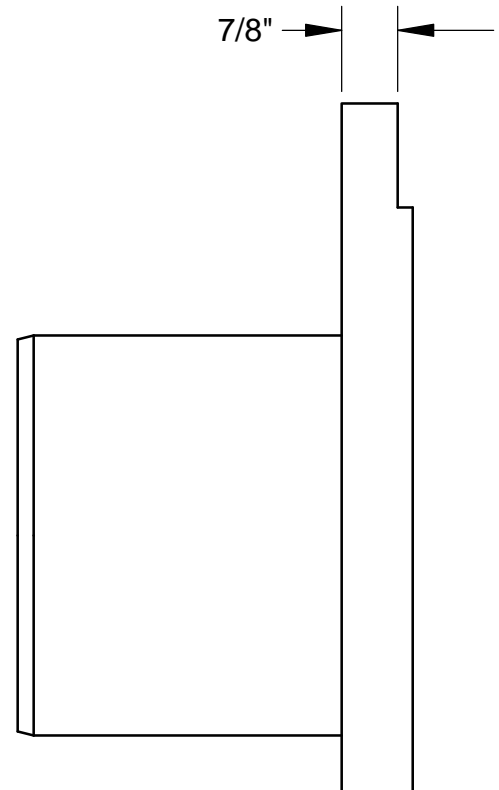
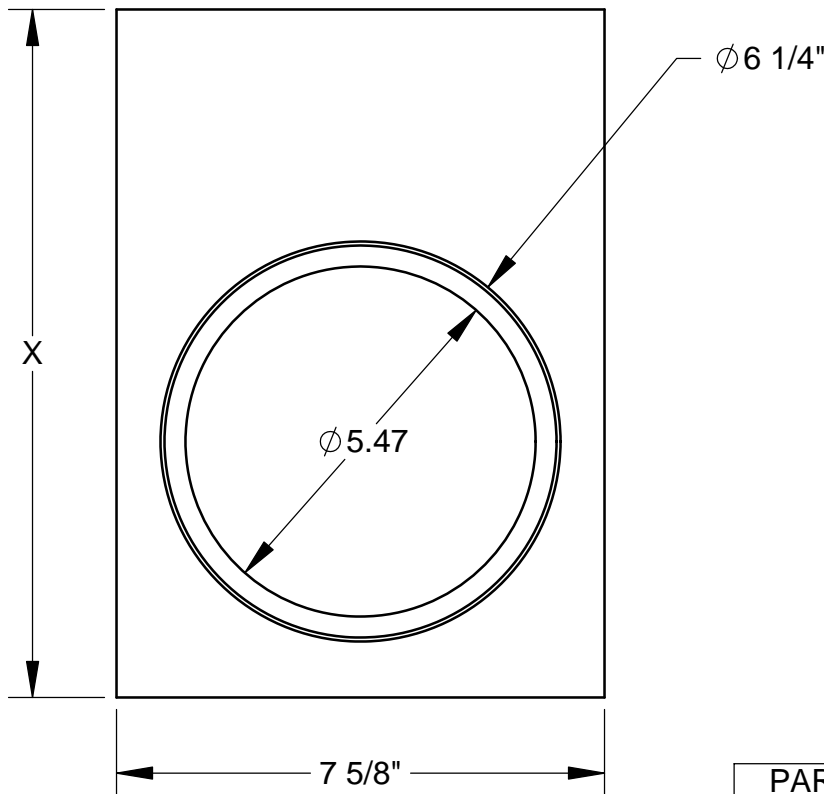
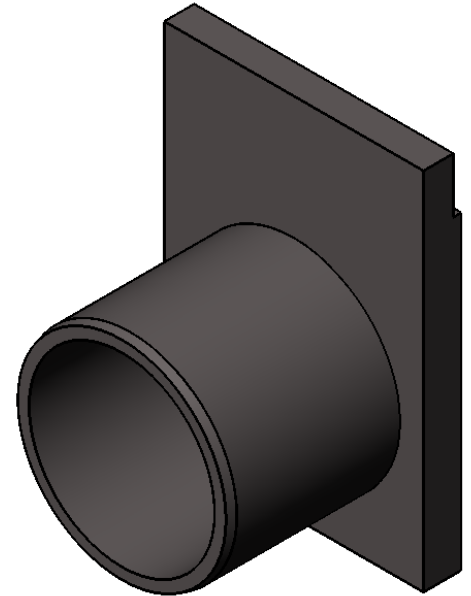
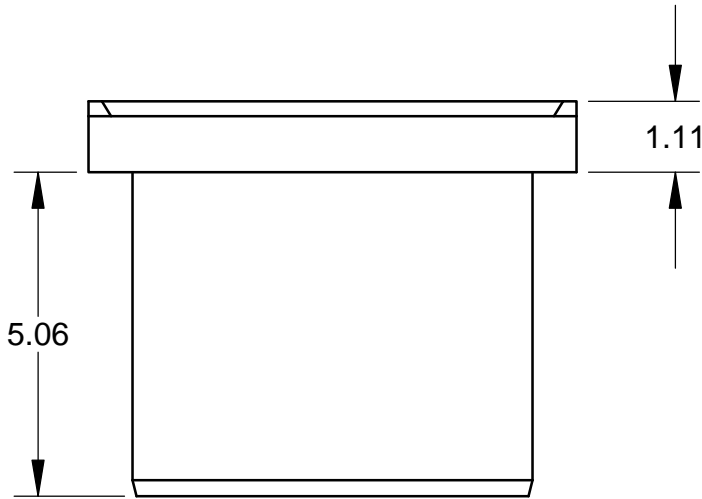
TRENCH ENDCAP OUTLETS

EN1500

153145 / 153147

SERIES

/ 153149



<u>PART NUMBER</u>	<u>"X" DIMENSION</u>
153145	10.75"
153147	12.75"
153149	14.75"

DATE OF LAST CHANGE: 5/05/11

DIMENSIONS ARE SUBJECT TO MANUFACTURERS TOLERANCES AND CHANGE WITHOUT NOTICE. WE CAN ASSUME NO RESPONSIBILITY FOR USE OF SUPERSEDED OR VOID DATA.

JOSAM COMPANY
MICHIGAN CITY, INDIANA

NOTES