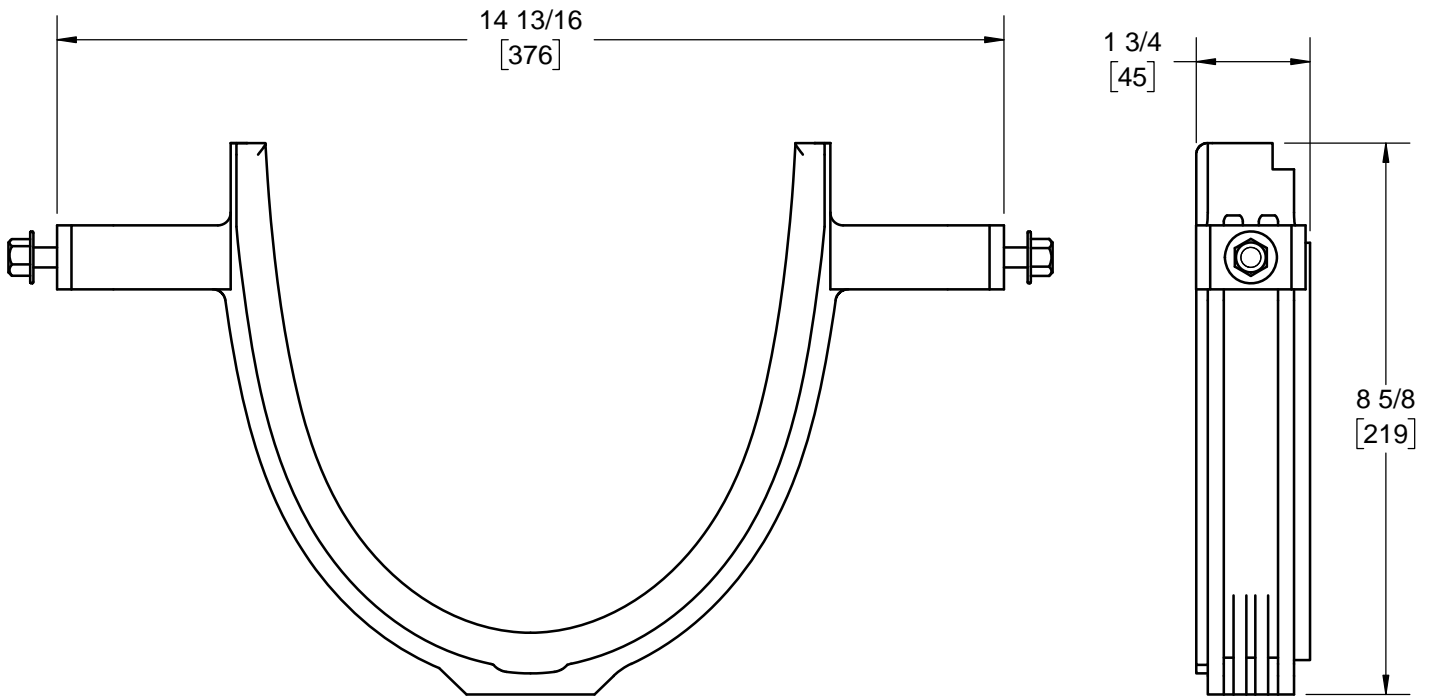
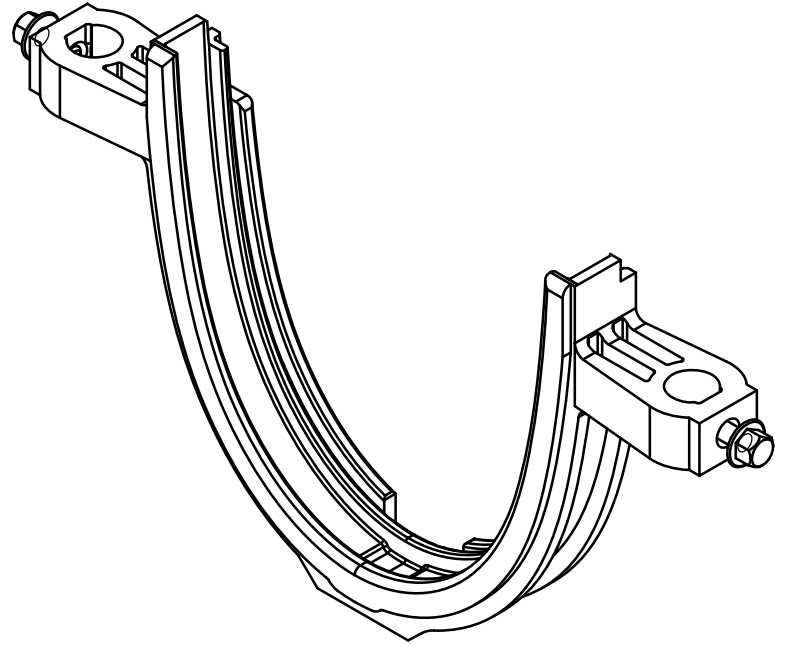


SPECIFICATION:

MEA-JOSAM 200-BS SUPPORT BRACKET FOR PRO-PLUS 200C 8" INTERNAL WIDTH TRENCH CHANNELS. MADE WITH PVC MATERIAL TO SUPPORT AND CONNECT CHANNEL SECTIONS AND WITH VERTICAL HOLES TO SECURE TO REBAR OR THREADED ROD WITH BOLTS (SUPPLIED).

**PRO-PLUS
SUPPORT BRACKET 200C**

SERIES **200-BS**



WARNING: Cancer and Reproductive Harm - www.P65Warnings.ca.gov

DATE OF LAST CHANGE: 6/04/18

DIMENSIONS ARE SUBJECT TO MANUFACTURERS TOLERANCES AND CHANGE WITHOUT NOTICE. WE CAN ASSUME NO RESPONSIBILITY FOR USE OF SUPERSEDED OR VOID DATA.

JOSAM
MICHIGAN CITY, INDIANA

NOTES