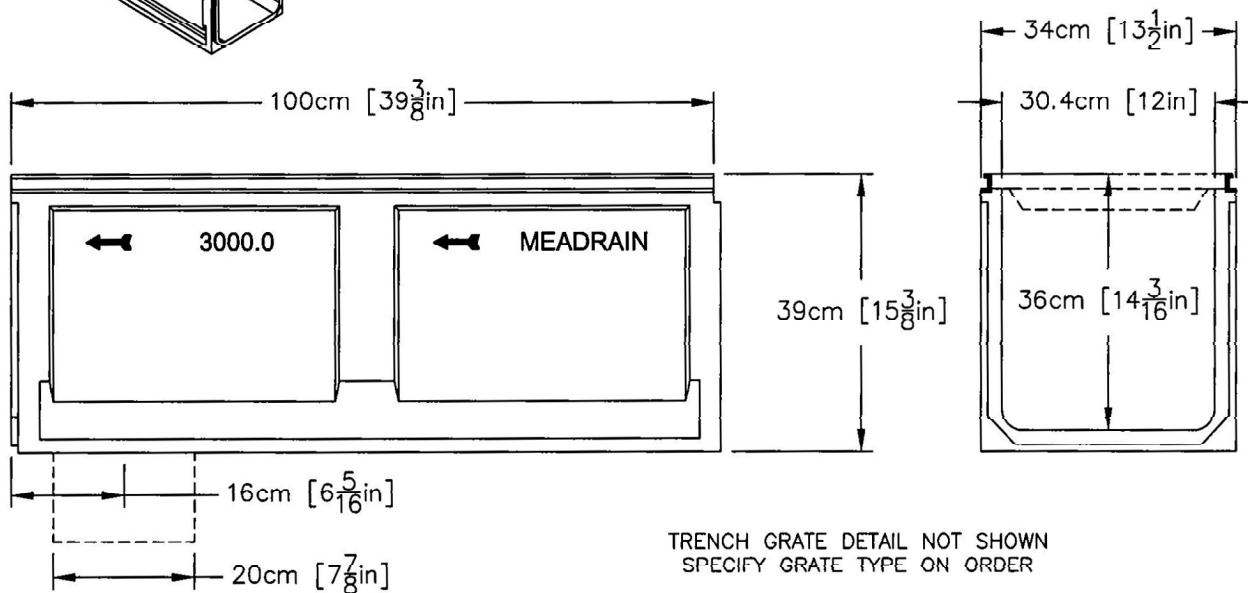
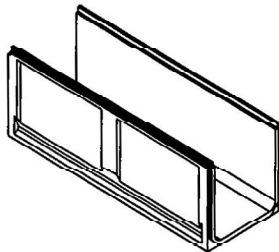
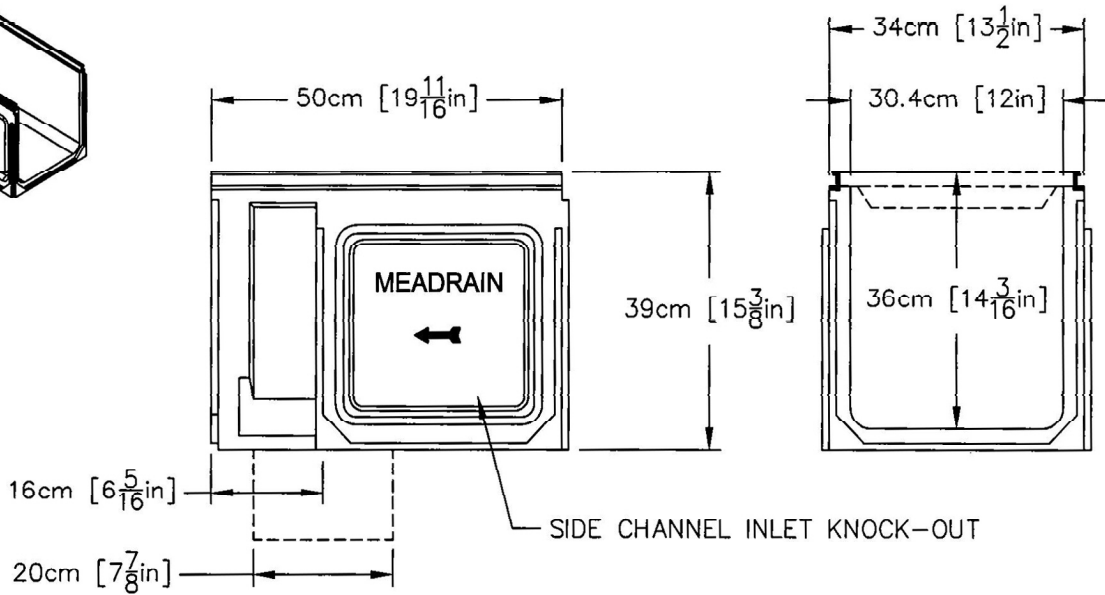
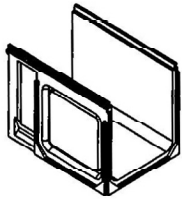


SPECIFICATION:

MEA-JOSAM EN3000 SERIES POLYMER CONCRETE DRAINAGE CHANNEL WITH BUILT IN CAST IRON EDGE PROTECTION, DUCTILE IRON SLOTTED GRATES & LOCKING DEVICES. AVAILABLE IN THREE TYPES: C250, F900 AND F900 PROFIX.

DRAINAGE CHANNEL
SERIES EN3000



DATE: 9/15/06

DIMENSIONS ARE SUBJECT TO MANUFACTURER'S TOLERANCES AND CHANGE WITHOUT NOTICE. WE CAN ASSUME NO RESPONSIBILITY FOR USE OF SUPERSEDED OF VOID DATA.

DRAWING NO.

A-15231-K

MEA-JOSAM
MICHIGAN CITY, INDIANA

SERIES

EN3000