

SPECIFICATION:

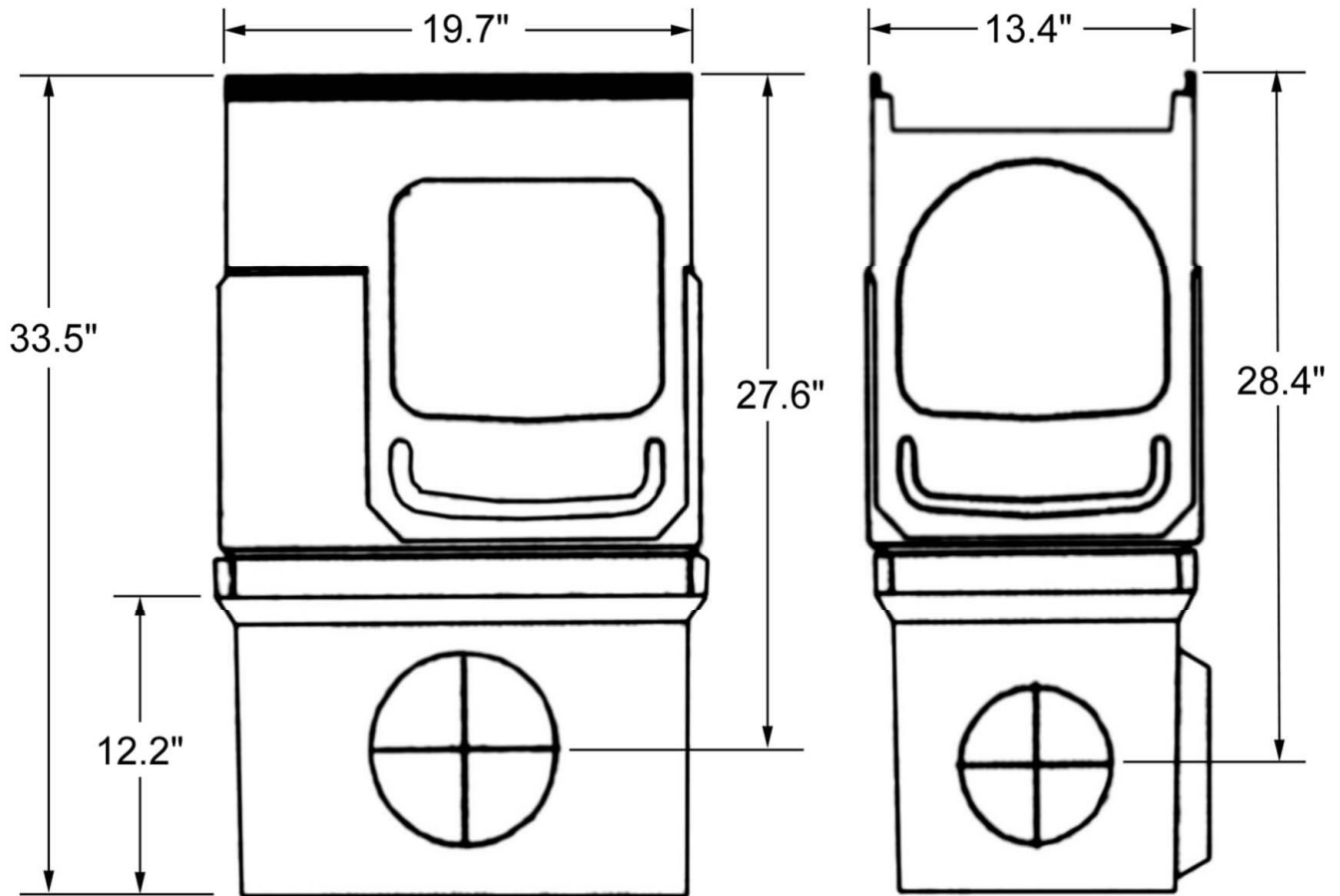
MEADRAIN EN3000 SERIES POLYMER-CONCRETE 2-PIECE GULLY FOR 3000 SERIES MEA-JOSAM TRENCH DRAINS WITH DUCTILE IRON EDGE PROTECTION AND F900 PROFIX GRATING AND WITH 6" AND 8" OUTLET KNOCKOUTS.

3000 SERIES
2pc GULLY

EN3000

SERIES

FORMERLY C3000 SERIES



DRAWING No.

MEA-JOSAM
MICHIGAN CITY, INDIANA

NOTES: