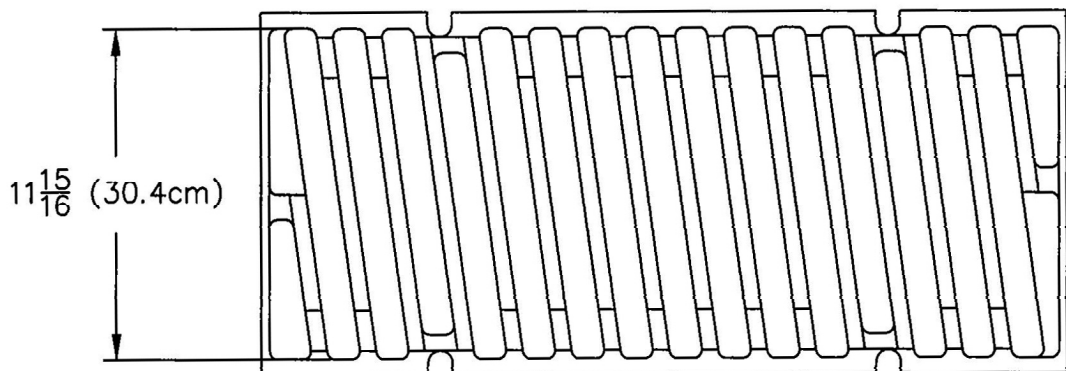
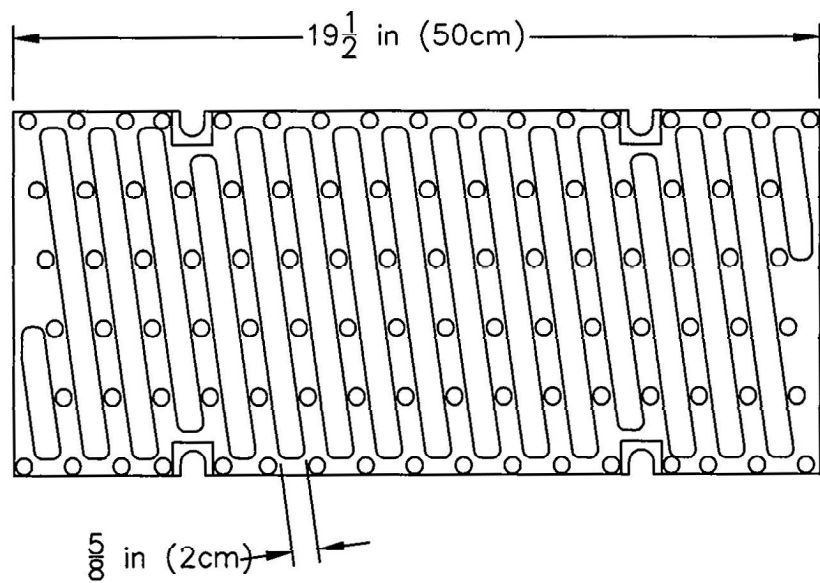
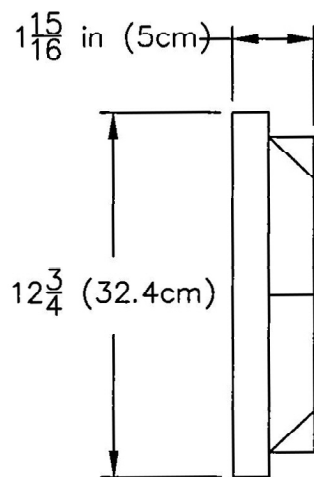
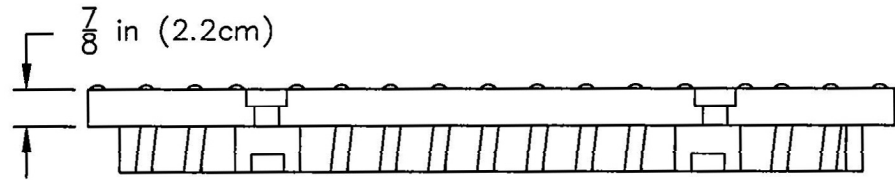


SPECIFICATION:

EN3000/C250 CAST IRON SLOTTED GRATE. 4 POINT LOCKING DEVICE PER 1/2 METER.

C3000/C250
8 POINT LOCK
EN3000

SERIES



DATE: 9/15/06

DIMENSIONS ARE SUBJECT TO MANUFACTURER'S TOLERANCES AND CHANGE WITHOUT NOTICE. WE CAN ASSUME NO RESPONSIBILITY FOR USE OF SUPERSEDED OF VOID DATA.

DRAWING NO.

A-15420-K

MEA JOSAM
MICHIGAN CITY, INDIANA

SERIES

EN3000