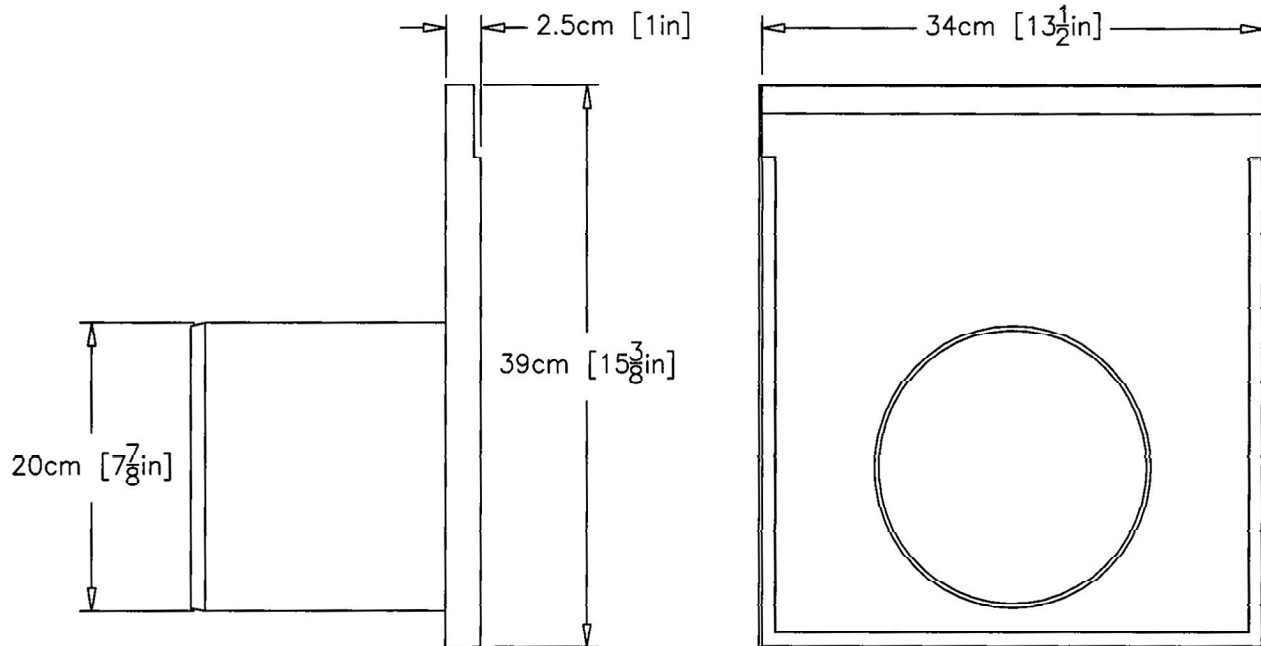
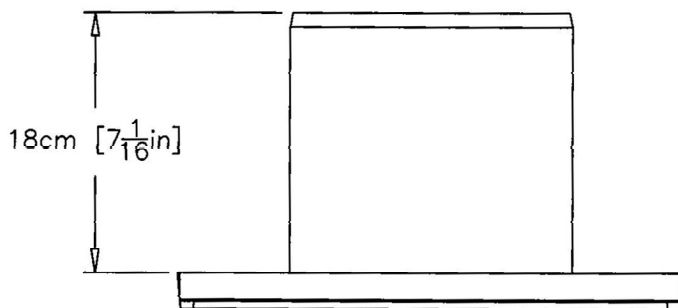
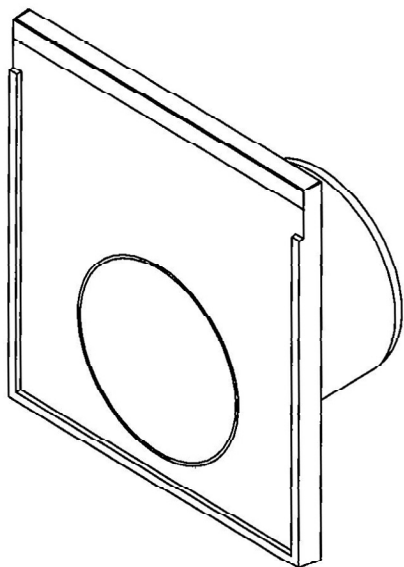


SPECIFICATION:
MEADRAIN EN3000.E SERIES POLYMER CONCRETE END CAP WITH OUTLET
AND CAST IRON PROTECTED EDGE.

END CAP
EN3000.E
SERIES 154845



DATE: 9/15/06

DIMENSIONS ARE SUBJECT TO MANUFACTURER'S TOLERANCES AND CHANGE WITHOUT NOTICE.
WE CAN ASSUME NO RESPONSIBILITY FOR USE OF SUPERSEDED OF VOID DATA.

DRAWING NO.

A-15262-K

MEA-JOSAM
MICHIGAN CITY, INDIANA

SERIES

154845