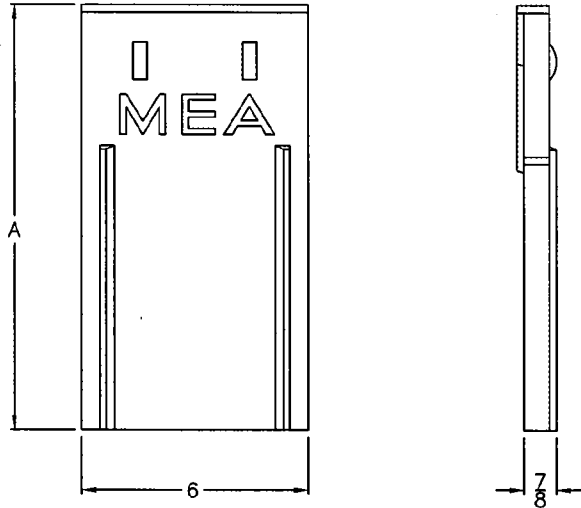


SPECIFICATION:
 MEADRAIN U1000 POLYMER CONCRETE SOLID END CAPS
 AND END CAPS WITH PIPE CONNECTIONS.

MEADRAIN ACCESSORIES U1000

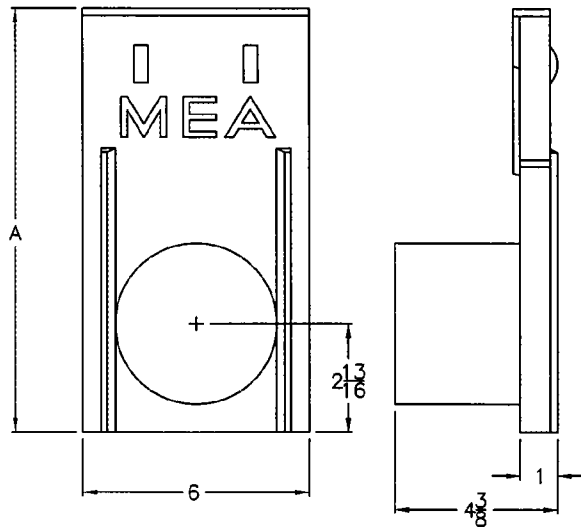
SERIES

POLYMER CONCRETE SOLID END CAP
 FOR START AND END OF CHANNEL



TYPE	PART NUMBER	"A" DIM.
1000.SE	151071	9-1/2
1030.SE	151072	11-1/2

POLYMER CONCRETE END CAP
 FOR CHANNEL END WITH ϕ 4-5/16" PIPE CONNECTION



TYPE	PART NUMBER	"A" DIM.
1000.E	151073	5-7/8
1005.E	151075	6-7/8
1010.E	151077	7-7/8
1015.E	151079	8-7/8
1020.E	151081	9-7/8
1025.E	151083	10-7/8
1030.E	151088	11-7/8

6-4-97, 4-1-98, 9-17-03

DRAWING NO.

A-14566-

MEA - JOSAM
 MICHIGAN CITY, INDIANA

NOTES: