

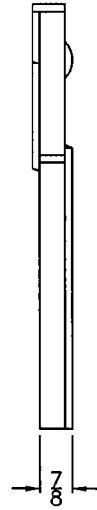
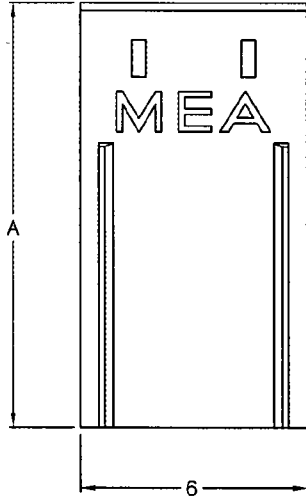
SPECIFICATION:

MEADRAIN J1000 POLYMER CONCRETE END CAP WITH GALVANIZED STEEL EDGE, SOLID OR WITH PIPE CONNECTION.

MEADRAIN
END CAP
J1000

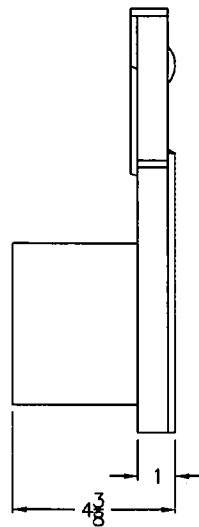
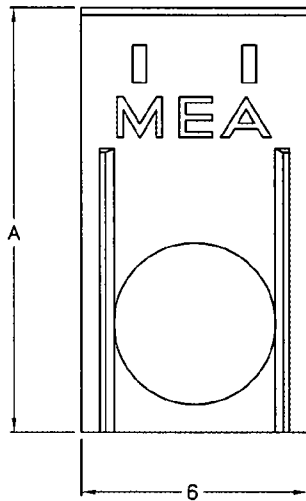
SERIES

POLYMER CONCRETE SOLID END CAP
FOR START AND END OF CHANNEL



TYPE	PART NUMBER	A
1000.SE	151471	9-3/8
1030.SE	151472	11-3/8

POLYMER CONCRETE END CAP
FOR CHANNEL END WITH ϕ 4-5/16" PIPE CONNECTOR



TYPE	PART NUMBER	A
1000.E	151473	5-3/4
1005.E	151475	6-3/4
1010.E	151477	7-3/4
1015.E	151479	8-3/4
1020.E	151481	9-3/4

6-4-97, 4-1-98, 9-14-00

DRAWING NO.

A-15250-K

MEA-JOSAM
MICHIGAN CITY, INDIANA

NOTES: