

**SPECIFICATION:**

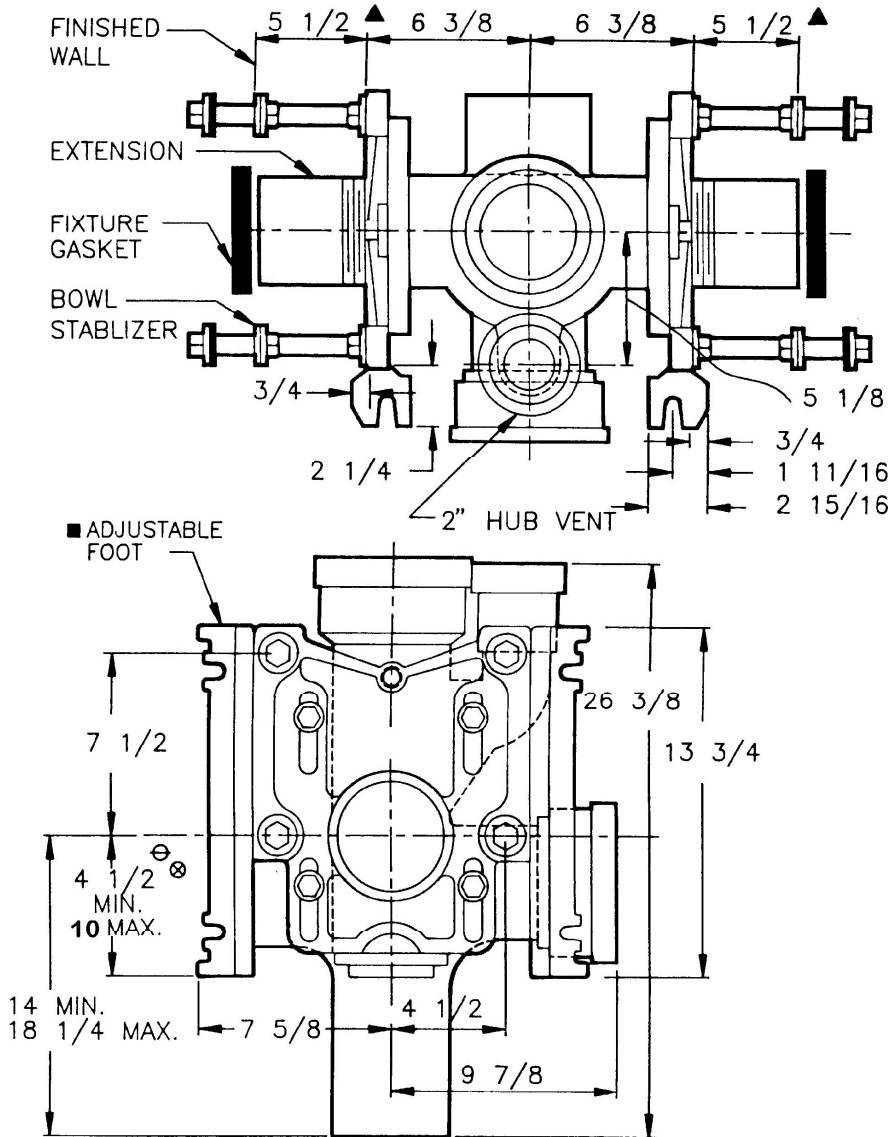
JOSAM 12724-HS-HD4 SERIES COATED CAST IRON DOUBLE VERTICAL 4" HUB & SPIGOT FITTING WITH RIGHT-HAND HUB & SPIGOT BRANCH INLET AND 2" HUB & SPIGOT OFFSET VENT. ADJUSTABLE CARRIER BODY, INVERTIBLE FOR SIPHON JET OR BLOWOUT CLOSETS, WITH ABS EXTENSION WITH INTEGRAL TEST CAP, PYLON FEET, ANCHOR FOOT, PLATED HARDWARE AND NEOPRENE FIXTURE GASKET.

**CLOSET CARRIER  
VERTICAL BACK-TO-BACK**

**SERIES**

**12724-HS-HVS4**

FORMERLY 12214A SERIES



▲ FOR DIMENSION SHORTER THAN 5-1/2" (1" MIN) CUT EXTENSION. FOR LONGER EXTENSION (10-1/2" MAX) SPECIFY (-10)

■ RECOMMEND FEET BE SECURED TO FLOOR WITH 1/2" BOLT'S AND ANCHORS (BY OTHERS).

⊗ FOR SIPHON JET ROUGHING OVER 6" OR BLOWOUT ROUGHING OVER 12-1/2" SPECIFY ON ORDER.

SIPHON JET DIM'S SHOWN FOR BLOWOUT DIMS, USE:

⊖ MIN 11 & MAX 16-1/2"

- PF PYLON FOOT, STD.
- OR O-RING CARRIER
- SD SPECIAL-DUTY 500LB. CARRIER
- HS HUB & SPIGOT
- OS4 OPPOSITE VENT 4" NO-HUB BRANCH
- HVS4 VENT SIDE 4" HUB BRANCH
- VP VANDAL-PROOF TRIM

- 1 POSITIONING FRAME
- 6 SUPPLY PIPE SUPPORT (SPECIFY TYPE OF PIPE)
- 10 ABS EXTENSION THROUGH 10-1/2" WALL
- 24 FLOOR MOUNTED BACK OUTLET CHINA BOWL
- 30 CAST IRON ADJ. EXTENSION W/ CONNECTOR
- 30-2 CAST IRON ADJ. EXTENSION W/ CONNECTOR & TEST CAP
- 32 CARRIER FOR WIDE CHASE INSTALLATIONS
- 35 CARRIER FOR WHEELCHAIR HIGH ROUGH

DRAWING No.

**A-14680-K**

**JOSAM COMPANY**  
MICHIGAN CITY, INDIANA

NOTES: