

SPECIFICATION:

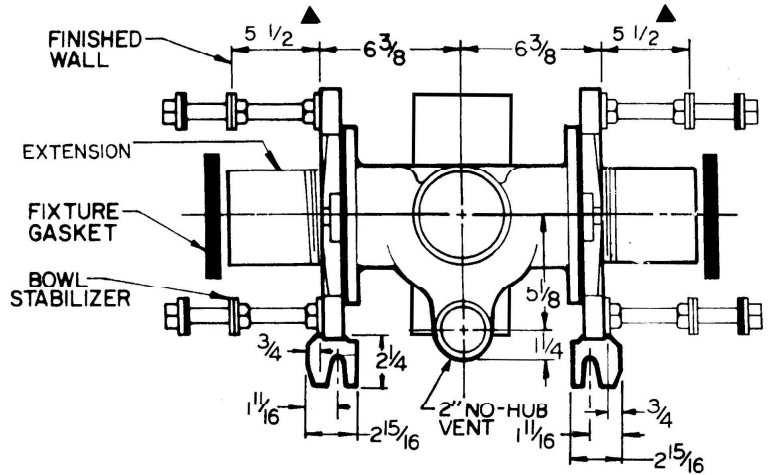
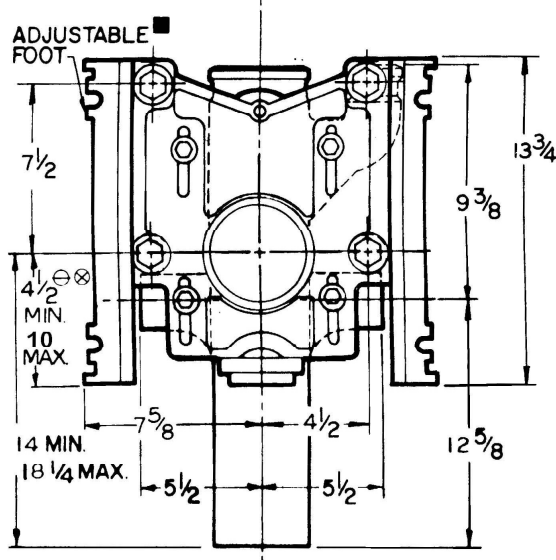
JOSAM 12724-VS4 SERIES COATED CAST IRON DOUBLE VERTICAL 4" NO-HUB ON STACK FITTING WITH UNDER VENT SIDE 4" NO-HUB BRANCH INLET AND 2" NO-HUB OFFSET VENT. ADJUSTABLE CARRIER BODY, INVERTIBLE FOR SIPHON JET OR BLOWOUT CLOSETS, WITH ABS EXTENSION WITH INTEGRAL TEST CAP, PYLON FEET, ANCHOR FOOT, PLATED HARDWARE AND NEOPRENE FIXTURE GASKET.

**CLOSET CARRIER
VERTICAL BACK-TO-BACK**

SERIES

12724-VS4

FORMERLY 12754 SERIES



▲ FOR DIMENSION SHORTER THAN 5-1/2" (1" MIN) CUT EXTENSION. FOR LONGER EXTENSION (10-1/2" MAX) SPECIFY (-10)

■ RECOMMEND FEET BE SECURED TO FLOOR WITH 1/2" BOLT'S AND ANCHORS (BY OTHERS).

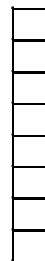
⊗ FOR SIPHON JET ROUGHING OVER 6" OR BLOWOUT ROUGHING OVER 12-1/2" SPECIFY ON ORDER.

SIPHON JET DIM'S SHOWN FOR BLOWOUT DIMS, USE:

⊖ MIN 11 & MAX 16-1/2"



- PF PYLON FOOT, STD.
- OR O-RING CARRIER
- SD SPECIAL-DUTY 500LB. CARRIER
- HS HUB & SPIGOT
- HOS4 OPPOSITE VENT 4" HUB BRANCH
- VS4 VENT SIDE 4" NO-HUB BRANCH
- VP VANDAL-PROOF TRIM



- 1 POSITIONING FRAME
- 6 SUPPLY PIPE SUPPORT (SPECIFY TYPE OF PIPE)
- 10 ABS EXTENSION THROUGH 10-1/2" WALL
- 24 FLOOR MOUNTED BACK OUTLET CHINA BOWL
- 30 CAST IRON ADJ. EXTENSION W/ CONNECTOR
- 30-2 CAST IRON ADJ. EXTENSION W/ CONNECTOR & TEST CAP
- 32 CARRIER FOR WIDE CHASE INSTALLATIONS
- 35 CARRIER FOR WHEELCHAIR HIGH ROUGH

DRAWING No.

A-13746-K

JOSAM COMPANY
MICHIGAN CITY, INDIANA

NOTES: