

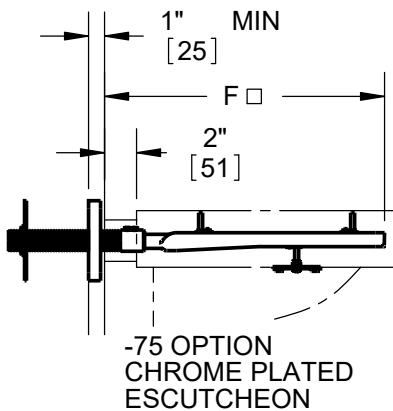
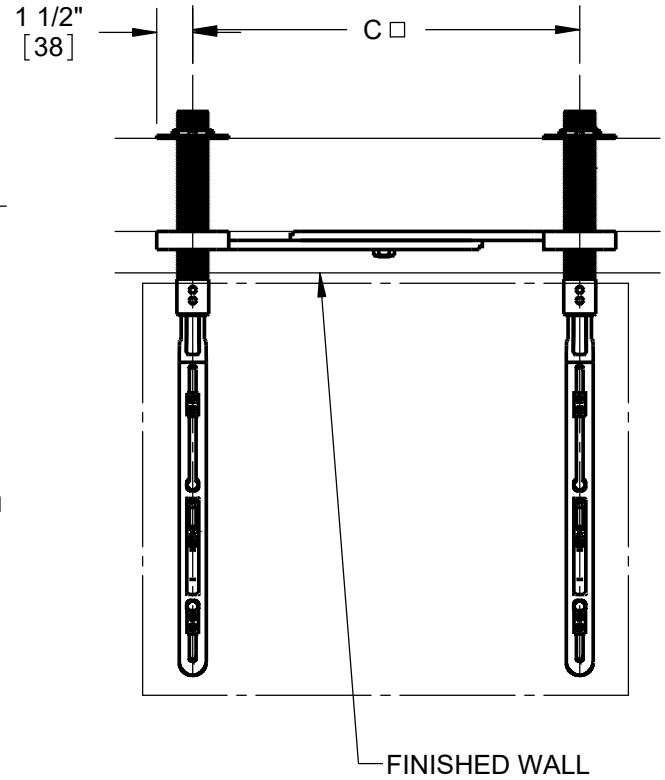
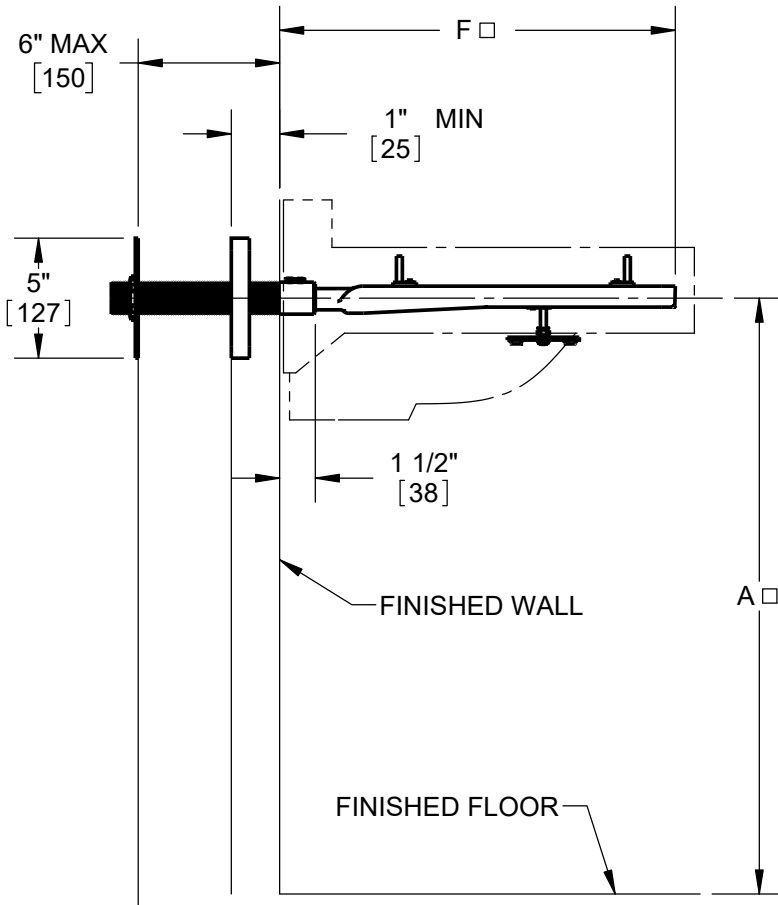
**SPECIFICATION:**

JOSAM 17120-BP SERIES WALL-MOUNTED, SINGLE LAVATORY CARRIER WITH CONCEALED ARMS, LEVELING AND SECURING SCREWS, ADJUSTABLE WALL PLATE AND BACK PLATE.

**LAVATORY CARRIER**

**WALL-MOUNT  
CONCEALED ARM**

SERIES **17120-BP**



□ DENOTES VARIABLE DIMENSION  
DEPENDS ON FIXTURE.  
STANDARD ADJUSTABLE SLEEVE 8-1/2"

MANUFACTURER \_\_\_\_\_

NUMBER \_\_\_\_\_

SIZE \_\_\_\_\_

NAME \_\_\_\_\_

DIMENSIONS

A \_\_\_\_\_

C \_\_\_\_\_

F \_\_\_\_\_

RIM HEIGHT \_\_\_\_\_  
BASED ON "A" DIM. SHOWN

X	-BP	WITH BACK PLATES
	-10	EXTENSION SLEEVES LONGER THAN STANDARD (SPECIFY WALL THICKNESS)
	-75	2" CHROME PLATED ESCUTCHEONS
	-76	4" CHROME PLATED ESCUTCHEONS
	-77	6" CHROME PLATED ESCUTCHEONS

WARNING: Cancer and Reproductive Harm - www.P65Warnings.ca.gov

DATE OF LAST CHANGE: 05/25/18

DIMENSIONS ARE SUBJECT TO MANUFACTURERS TOLERANCES AND CHANGE WITHOUT NOTICE. WE CAN ASSUME NO RESPONSIBILITY FOR USE OF SUPERSEDED OR VOID DATA.



MICHIGAN CITY, INDIANA

NOTES