

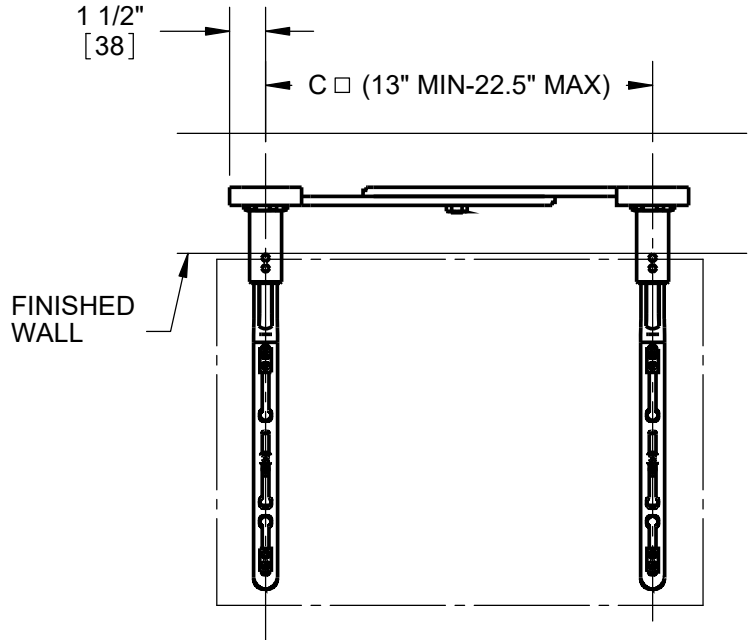
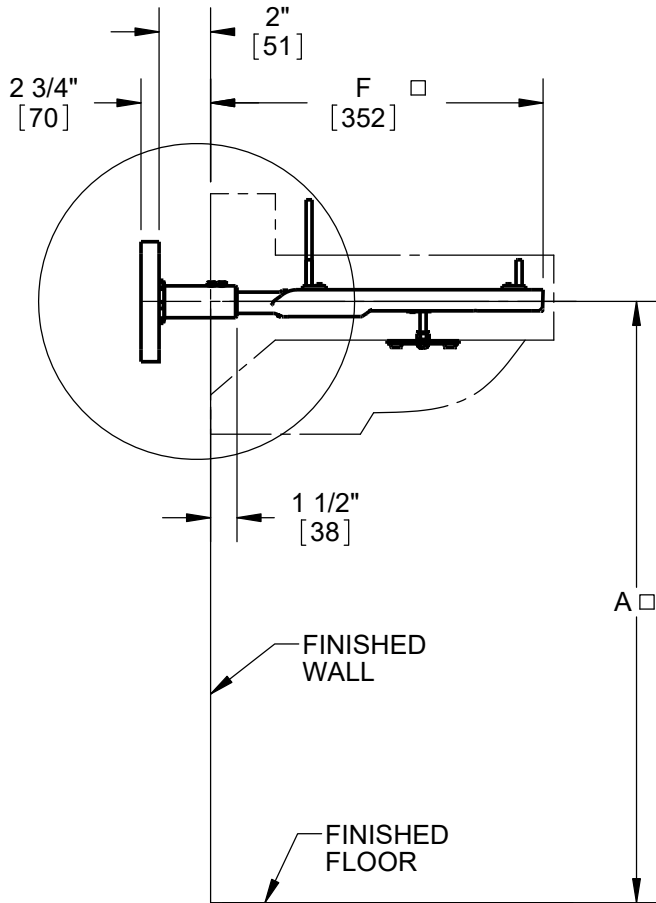
SPECIFICATION:

JOSAM 17120-K165 SERIES WALL-MOUNTED, SINGLE LAVATORY CARRIER WITH CONCEALED ARMS, LEVELING AND SECURING SCREWS, AND ADJUSTABLE WALL PLATE.

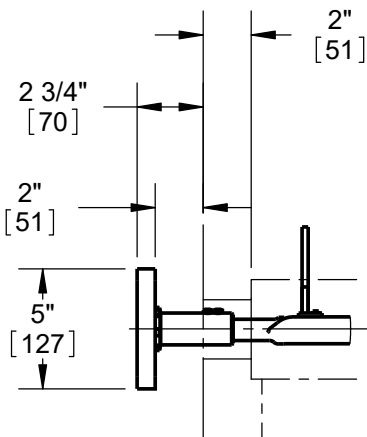
LAVATORY CARRIER

WALL-MOUNT
CONCEALED ARM

SERIES **17120-K165**



□ DENOTES VARIABLE. DIMENSION DEPENDS ON FIXTURE. STANDARD ADJUSTABLE SLEEVE IS 4" LONG



-75 OPTION
CHROME PLATED
ESCUTCHEON

-BP*	WITH BACK PLATES
-MMB*	WITH MOVABLE MOUNTING BRACKETS
-10*	EXTENSION SLEEVES LONGER THAN STANDARD (SPECIFY WALL THICKNESS)
-75	2" CHROME PLATED ESCUTCHEONS
-76	4" CHROME PLATED ESCUTCHEONS
-77	6" CHROME PLATED ESCUTCHEONS

* SEPARATE SUBMITTAL FOR THIS OPTION AVAILABLE

MANUFACTURER

NUMBER

SIZE

NAME

DIMENSIONS

A _____

C _____

F _____

RIM HEIGHT
BASED ON "A" DIM SHOWN

WARNING: Cancer and Reproductive Harm - www.P65Warnings.ca.gov

DATE OF LAST CHANGE: 05/25/18

DIMENSIONS ARE SUBJECT TO MANUFACTURERS TOLERANCES AND CHANGE WITHOUT NOTICE. WE CAN ASSUME NO RESPONSIBILITY FOR USE OF SUPERSEDED OR VOID DATA.



MICHIGAN CITY, INDIANA

NOTES