

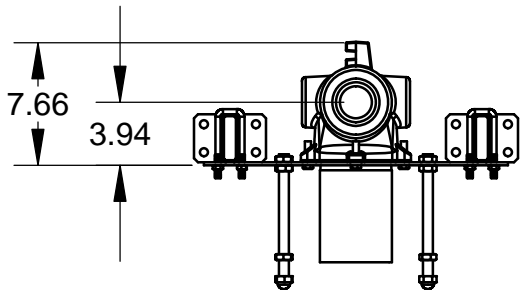
**SPECIFICATION:**

JOSAM 17735 SERIES FLOOR-MOUNTED, SINGLE, HEAVY-DUTY SINK CARRIER WITH SUPPORT PLATES, ADJUSTABLE COUPLING WITH 4" X 2" WASTE FITTING, MOUNTING STUDS, STRUCTURAL UPRIGHTS, WELDED FEET AND CHROME PLATED TRIM.

**SINK CARRIER  
FLOOR-MOUNT HEAVY-DUTY**

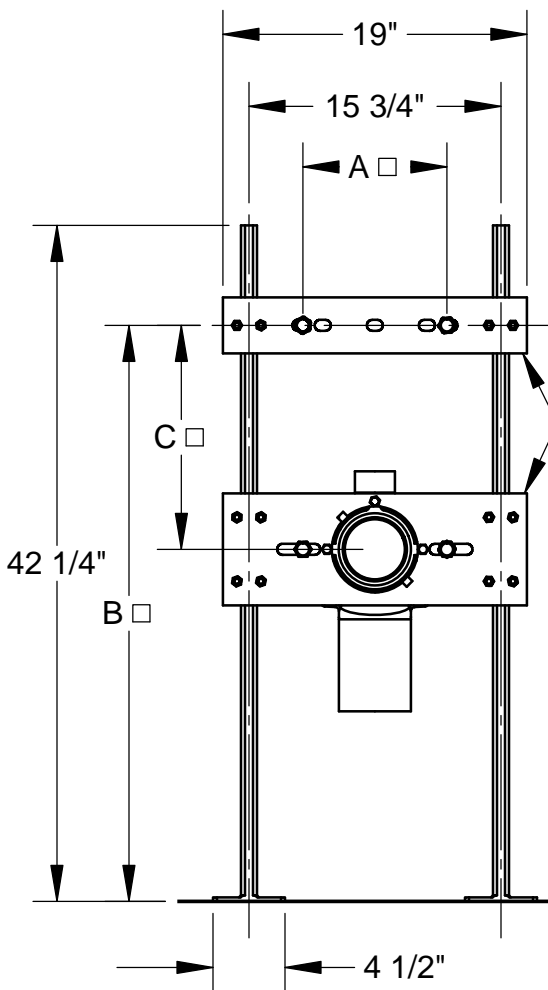
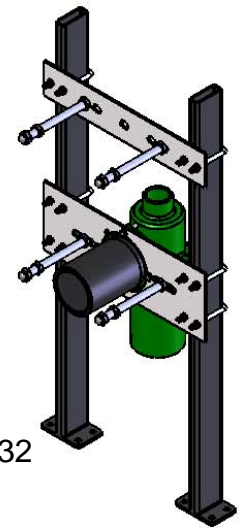
SERIES

**17735**



**NOTES**

1. DIMENSIONS MARKED □ VARY DEPENDING ON MOUNTED FIXTURE.
2. RECOMMEND FEET BE SECURED TO FLOOR WITH 1/2" BOLTS & ANCHORS BY OTHERS.



7/8" MIN  
5 3/8" MAX

5/8"-11 THREADED  
OR 1/2" THRU HOLE

CUT EXTENSION  
AS NEEDED

REVERSE THESE  
TWO PLATES  
FOR BLOWOUT  
FIXTURES WITH  
THREE BOLT  
MOUNT

4" THREADED  
OUTLET  
CONNECTION

FINISHED  
WALL

FINISHED  
FLOOR

3.32

MANUFACTURER

NUMBER

SIZE

NAME

A \_\_\_\_\_

B \_\_\_\_\_

C \_\_\_\_\_

RIM HEIGHT  
BASED ON "B" DIM SHOWN

|     |  |
|-----|--|
| -4  | VANDAL-PROOF TRIM                                  |
| -10 | STUDS FOR WALLS OVER 5-3/8" (SPEC. WALL THICKNESS) |
| -45 | THREADED HIGH LEFT-HAND AUXILIARY VENT             |
| -46 | THREADED HIGH RIGHT-HAND AUXILIARY VENT            |

NOTE: OTHER FITTINGS AVAILABLE UPON REQUEST. CONTACT YOUR JOSAM REPRESENTATIVE

DATE OF LAST CHANGE: 2/20/12

DIMENSIONS ARE SUBJECT TO MANUFACTURERS TOLERANCES AND CHANGE WITHOUT NOTICE. WE CAN ASSUME NO RESPONSIBILITY FOR USE OF SUPERSEDED OR VOID DATA.

**JOSAM COMPANY**  
MICHIGAN CITY, INDIANA

NOTES