

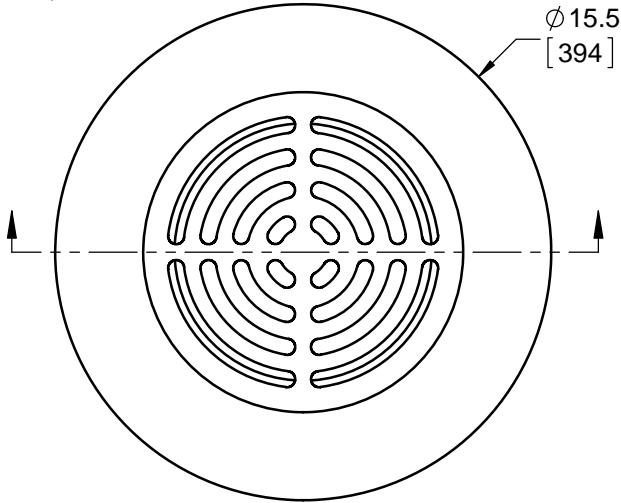
SPECIFICATION:

JOSAM SERIES 21500 14 GA (2mm) TYPE 304 STAINLESS STEEL OVERFLOW ROOF DRAIN WITH 3" WATERGUARD, NO-HUB BOTTOM OUTLET, UNDERDECK CLAMP AND HARDWARE, AND REMOVABLE DOME.

**ROOF DRAIN
STAINLESS STEEL
OVERFLOW**

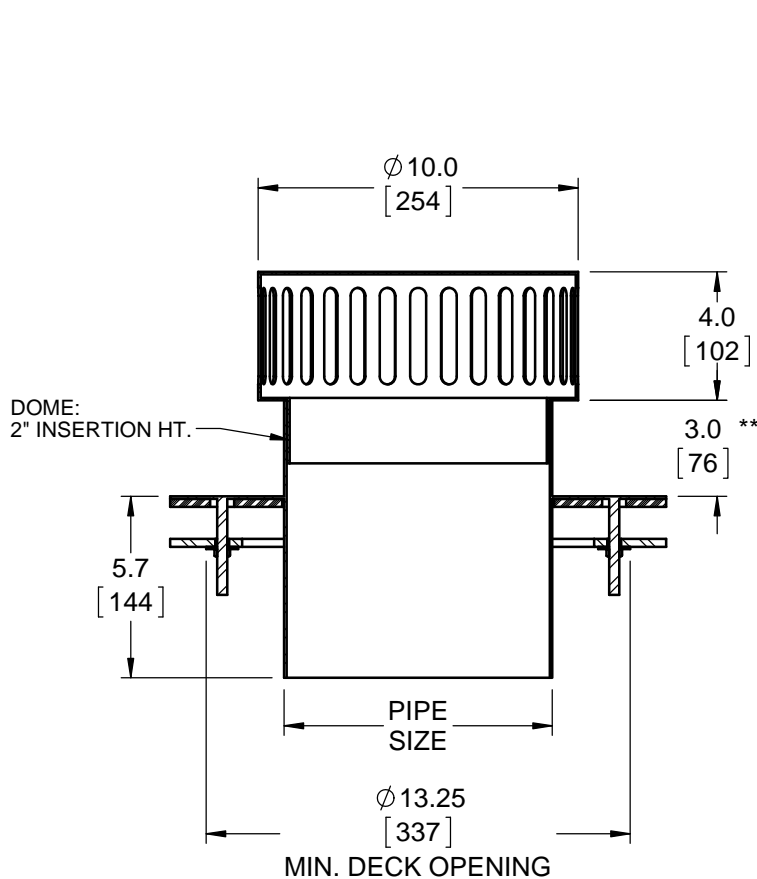
SERIES **21500**

DOME SLOT WIDTH - 1/2"



	PIPE SIZE	O.D. *
	4"	4.38
	5"	5.30
	6"	6.30
	8"	8.38

* OUTLET O.D. CAN BE CUSTOMIZED TO FIT JOSAM PUSH-FIT STAINLESS STEEL PIPING SYSTEM - SPECIFY ON ORDER



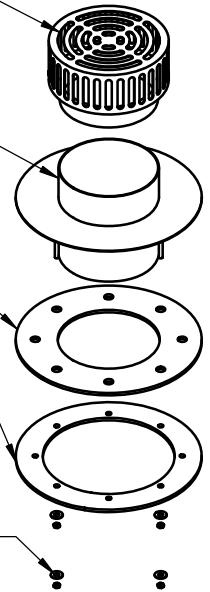
DOME - SS
FREE AREA = 75 IN²

OVERFLOW DRAIN
BODY - SS

GASKET - EPDM

UNDERDECK CLAMP - SS

SECURING HARDWARE - SS



(-SS)

(-OVFLW)

** 3" STANDARD HEIGHT OR SPECIFY _____

DATE OF LAST CHANGE: 04/25/11

DIMENSIONS ARE SUBJECT TO MANUFACTURERS TOLERANCES AND CHANGE WITHOUT NOTICE. WE CAN ASSUME NO RESPONSIBILITY FOR USE OF SUPERSEDED OR VOID DATA.

JOSAM COMPANY
MICHIGAN CITY, INDIANA

NOTES