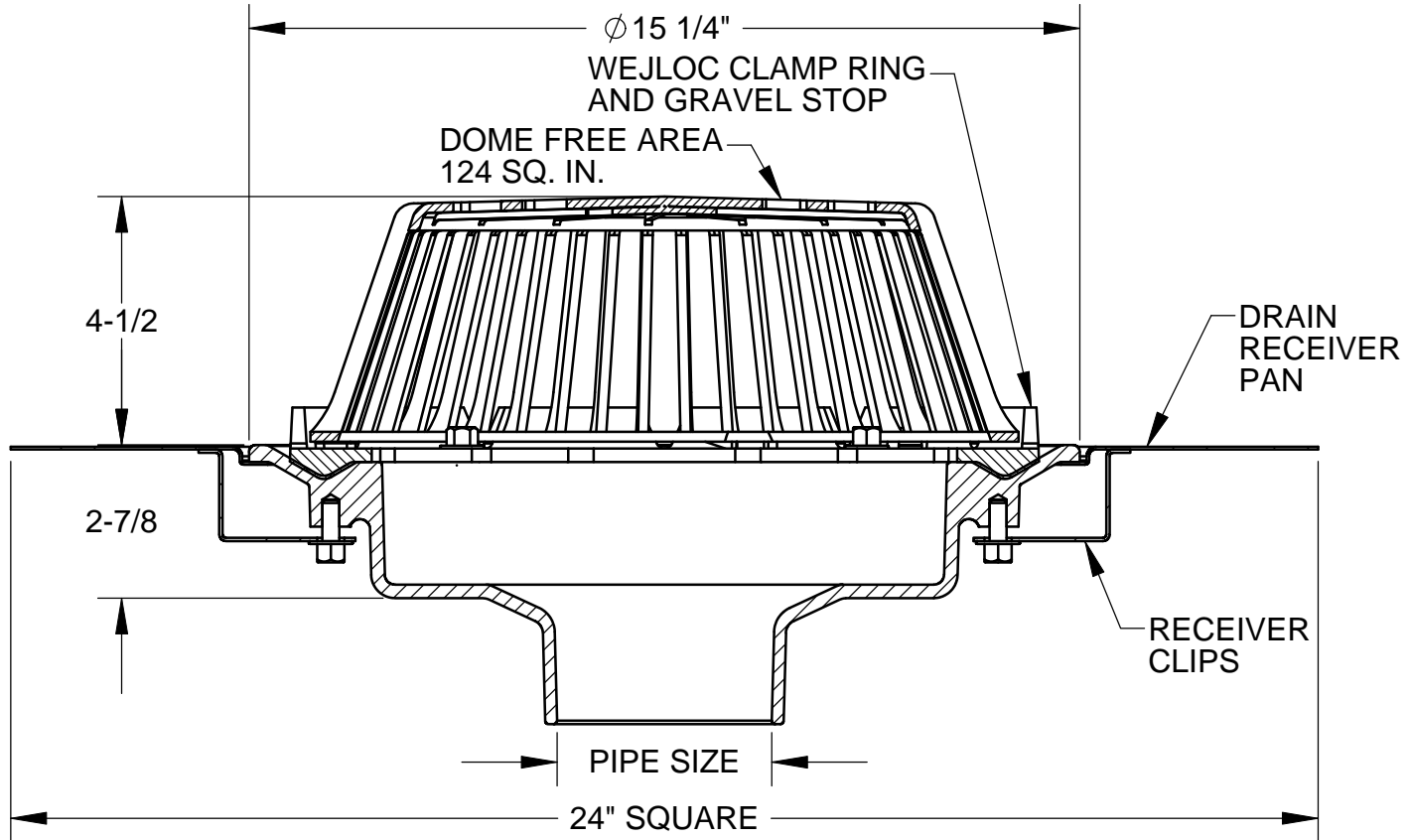


**SPECIFICATION:**

JOSAM 21500-3C SERIES COATED CAST IRON ROOF DRAIN, LARGE POLYPROPYLENE LOCKING DOME, WEJLOC NON-PUNCTURING CLAMP RING WITH INTEGRAL GRAVEL STOP, LARGE SUMP WITH WIDE ROOF FLANGE, BOTTOM OUTLET, DRAIN RECEIVER & RECEIVER CLIPS.

**ROOF DRAIN  
LARGE SUMP**

SERIES **21500-3C**



	2"	PIPE SIZE		-2	DRAIN RECEIVER
	3"	PIPE SIZE		-3	DECK CLAMP ASY. AND DRAIN RECEIVER
	4"	PIPE SIZE	X	-3C	DRAIN RECEIVER AND DRAIN RECEIVER CLIPS
	5"	PIPE SIZE		-4	SECONDARY FLASHING CLAMP ( -AE ONLY )
	6"	PIPE SIZE		-6	EXTRA WIDE FLANGE DRAIN BODY ( -X OUTLET ONLY )
	8"	PIPE SIZE		-10	FIXED EXT. COLLAR, CAST IRON ( SPECIFY HT.** )
	10"	PIPE SIZE		-10-20	FIXED EXT. COLLAR, GALV. ( SPECIFY HT.** )
				-16*	INTERNAL WATERGUARD ( 2" THRU 6" OUTLETS ONLY )
	-X	INSIDE CAULK OUTLET		-17	2" HIGH SOLID CLAMPING COLLAR
	-Y	HUB OUTLET W/GASKET ( 2", 3" & 4" SIZES ONLY )		-19	CLAMP COLLAR W/PERFORATED STAINLESS STEEL GRAVEL GUARD
	-Z	NO-HUB SPIGOT OUTLET		-20	GALV. CAST IRON PARTS
	-T	THREADED OUTLET		-21	GALV. CAST IRON DOME ONLY
				-22	CAST IRON DOME
	-AE	THREADED LEVELZE ADH. EXT.		-23	ROUGH BRONZE DOME
	-AER	ADJ. EXT. USING THREADED RODS		-26	ALUMINUM DOME
	-IRMA	PERFORATED STAINLESS STEEL EXT.		-33	STAINLESS STEEL MESH-COVERED DOME
	-CR	CLAMPING DRAIN RECEIVER ( MIN. DECK OPENING $\phi$ 16" )		-66	NO-HUB SIDE OUTLET ( 2" THRU 6" OUTLETS ONLY )
	-1	DECK CLAMP ASY.		-VP	VANDAL-PROOF DOME
	-1C	DRAIN RECEIVER CLIPS(MIN. DECK OPENING $\phi$ 16")			

DATE OF LAST CHANGE: 5/20/2010

DIMENSIONS ARE SUBJECT TO MANUFACTURERS TOLERANCES AND CHANGE WITHOUT NOTICE. WE CAN ASSUME NO RESPONSIBILITY FOR USE OF SUPERSEDED OR VOID DATA.

**JOSAM COMPANY**  
MICHIGAN CITY, INDIANA

NOTES