

**SPECIFICATION:**

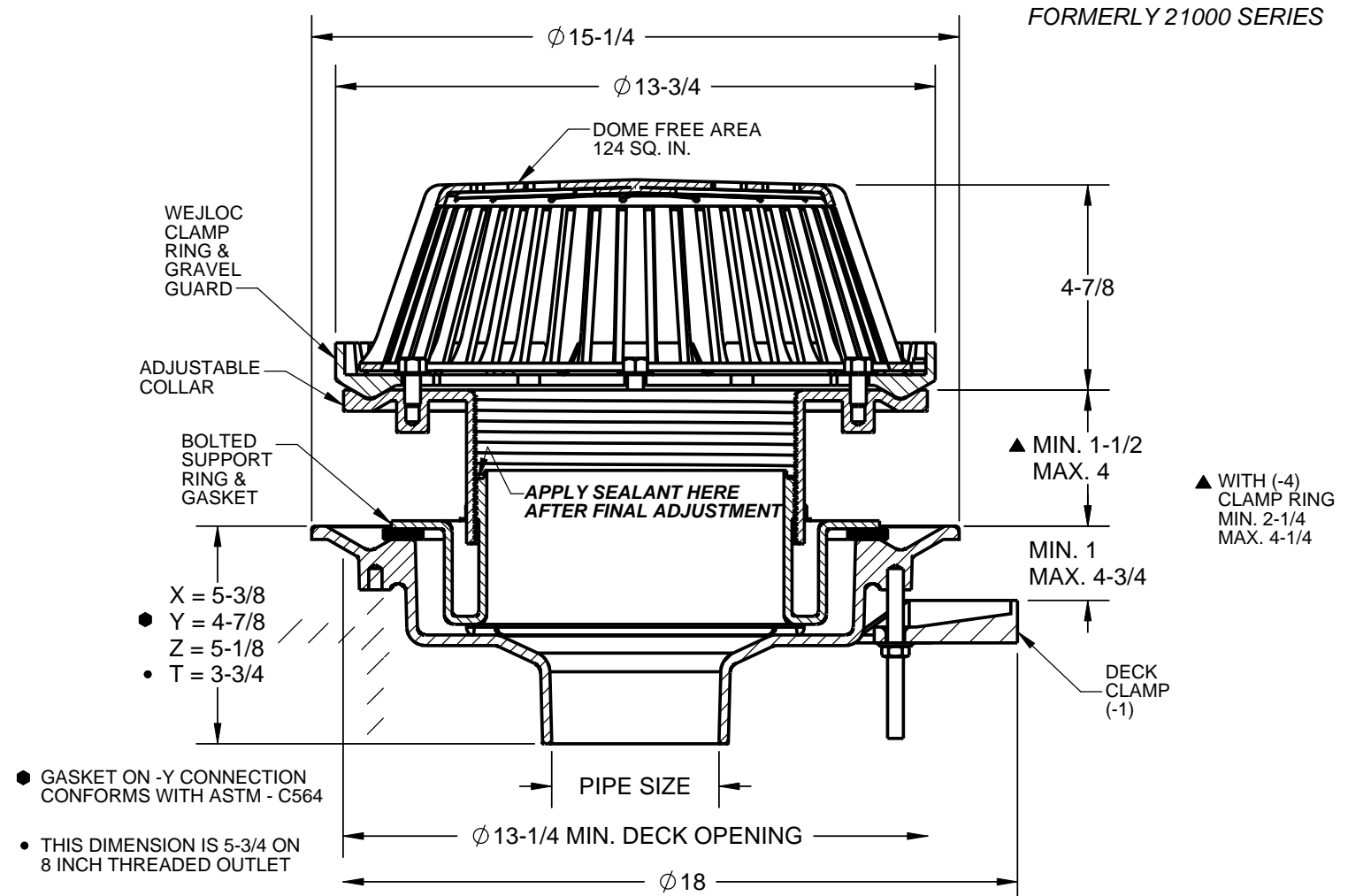
JOSAM 21500-AE SERIES COATED CAST IRON LEVELEZE® ROOF DRAIN, LARGE POLYPROPYLENE LOCKING DOME, WEJLOC® NON-PUNCTURING CLAMP RING WITH INTEGRAL GRAVEL STOP, BOLTED SUPPORT RING, ADJUSTABLE TOP, LARGE SUMP WITH WIDE ROOF FLANGE AND BOTTOM OUTLET.

**ROOF DRAIN**

W/ LEVELEZE® ADJUSTABLE EXTENSION

SERIES **21500-AE**

FORMERLY 21000 SERIES



\* -16 & -17 CANNOT BE FURNISHED TOGETHER

\*\* -10 EXTENSION 4" STANDARD

	3"	PIPE SIZE		-10-20	FIXED EXT. COLLAR, GALVANIZED ( SPECIFY HEIGHT ** )
	2"	PIPE SIZE		-10	FIXED EXT. COLLAR, CAST IRON ( SPECIFY HEIGHT ** )
	4"	PIPE SIZE		-16*	INTERNAL WATERGUARD ( 2" THRU 6" OUTLETS ONLY )
	5"	PIPE SIZE		-17*	2" HIGH SOLID CLAMPING COLLAR
	6"	PIPE SIZE		-19	CLAMP COLLAR W/ PERF. STAINLESS GRAVEL GUARD
	8"	PIPE SIZE		-20	GALVANIZED CAST IRON PARTS
	10"	PIPE SIZE ( NO-HUB ONLY )		-21	GALVANIZED CAST IRON DOME ONLY
				-22	CAST IRON DOME
	-AE	THREADED LEVELEZE ADJ. EXT.		-23	ROUGH BRONZE DOME
	-CR	CLAMPING DRAIN RECEIVER (MIN. DECK OPENING $\phi 16"$ )		-26	ALUMINUM DOME
	-1	DECK CLAMP ASSEMBLY		-33	STAINLESS STEEL MESH-COVERED DOME
	-1C	DRAIN RECEIVER CLIPS (MIN. DECK OPENING $\phi 16"$ )		-VP	SECURED DOME
	-2	DRAIN RECEIVER		-66	NO-HUB SIDE OUTLET ( 2" THRU 6" OUTLETS ONLY )
	-3	DECK CLAMP ASSEMBLY & DRAIN RECEIVER		-T	THREADED OUTLET
	-3C	DRAIN RECEIVER & DRAIN RECEIVER CLIPS		-X	INSIDE CAULK OUTLET
	-4	SECONDARY FLASHING CLAMP ( -AE ONLY )		-Y	HUB OUTLET W/ GASKET ( 2" THRU 4" SIZES ONLY )
	-6	EXTRA WIDE FLANGE DRAIN BODY (-X OUTLET ONLY )		-Z	NO-HUB SPIGOT OUTLET

DATE OF LAST CHANGE: 2/8/2011

DIMENSIONS ARE SUBJECT TO MANUFACTURERS TOLERANCES AND CHANGE WITHOUT NOTICE. WE CAN ASSUME NO RESPONSIBILITY FOR USE OF SUPERSEDED OR VOID DATA.

**JOSAM COMPANY**  
MICHIGAN CITY, INDIANA

NOTES