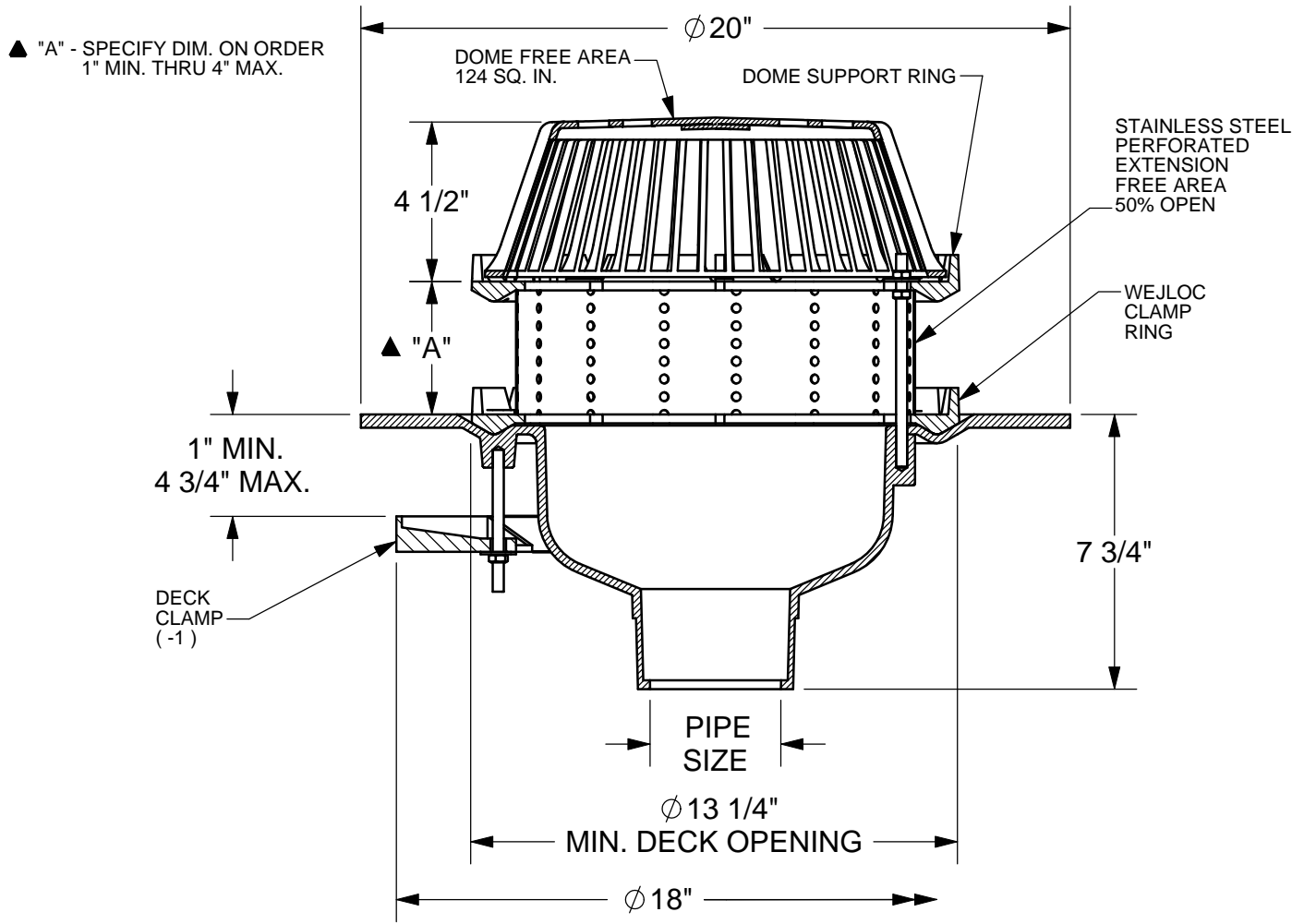


SPECIFICATION:

JOSAM 21500-IRMA-6 SERIES COATED CAST IRON ROOF DRAIN, LARGE POLYPROPYLENE LOCKING DOME, DOME SUPPORTING RING, PERFORATED STAINLESS STEEL EXTENSION FILTER, WEJLOC® NON-PUNCTURING CLAMP RING WITH INTEGRAL GRAVEL STOP, LARGE SUMP WITH EXTRA-WIDE ROOF FLANGE AND BOTTOM OUTLET INSIDE CAULK CONNECTION.

ROOF DRAIN
WITH PERF. STAINLESS EXTENSION

SERIES 21500-IRMA-6



** -10 EXTENSION 4" STANDARD

* -16 & -17 CANNOT BE FURNISHED TOGETHER

	2"	PIPE SIZE		-17*	2" HIGH SOLID CLAMPING COLLAR
	3"	PIPE SIZE		-19	CLAMP COLLAR W/PERF. STAINLESS GRAVEL GUARD
	4"	PIPE SIZE		-20	GALVANIZED CAST IRON PARTS
	5"	PIPE SIZE		-21	GALVANIZED CAST IRON DOME ONLY
	6"	PIPE SIZE		-22	CAST IRON DOME
				-23	ROUGH BRONZE DOME
X	-X	INSIDE CAULK OUTLET		-26	ALUMINUM DOME
				-33	STAINLESS STEEL MESH-COVERED DOME
X	-IRMA	PERFORATED STAINLESS STEEL EXTENSION		-66	NO-HUB SIDE OUTLET
	-1	DECK CLAMP ASSEMBLY		-VP	VANDAL-PROOF DOME
X	-6	EXTRA WIDE FLANGE DRAIN BODY			
	-10	FIXED EXT. COLLAR, CAST IRON (SPECIFY HEIGHT **)			
	-10-20	FIXED EXT. COLLAR, GALVANIZED (SPECIFY HEIGHT **)			
	-16*	INTERNAL WATERGUARD			

DATE OF LAST CHANGE: 5/6/09

DIMENSIONS ARE SUBJECT TO MANUFACTURERS TOLERANCES AND CHANGE WITHOUT NOTICE. WE CAN ASSUME NO RESPONSIBILITY FOR USE OF SUPERSEDED OR VOID DATA.

JOSAM COMPANY
MICHIGAN CITY, INDIANA

NOTES