

SPECIFICATION:

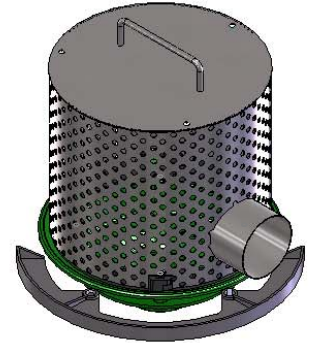
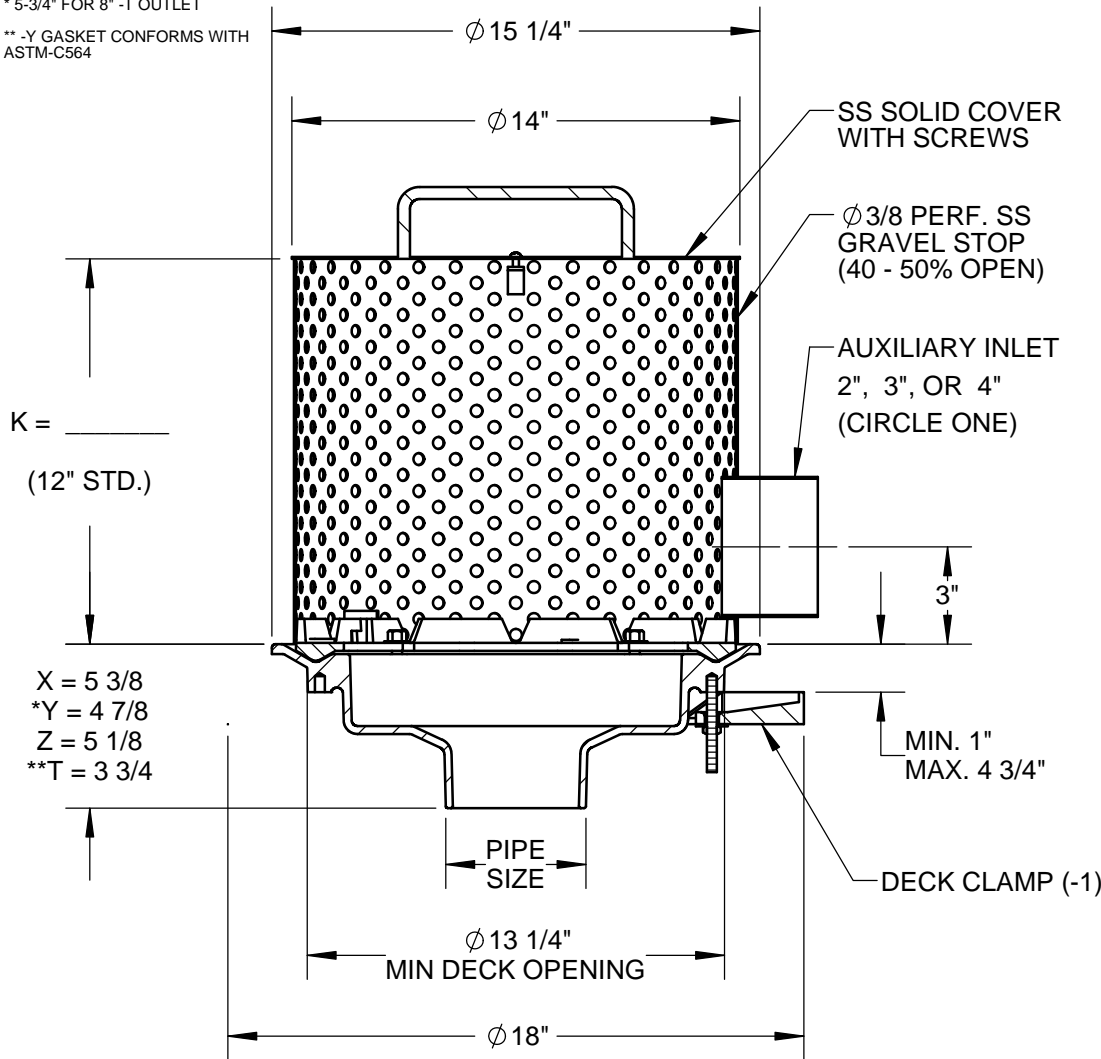
JOSAM SERIES 21500-RDG2 COATED CAST IRON DRAIN BODY AND WEJLOC® CLAMP RING AND STAINLESS STEEL GRAVEL STOP WITH SECURED COVER AND AUXILIARY INLET.

**ROOF DRAIN
GREEN ROOF**

SERIES **21500-RDG2**

* 5-3/4" FOR 8" -T OUTLET

** -Y GASKET CONFORMS WITH ASTM-C564



	2"	PIPE SIZE			-AE	THREADED LEVELZE ADJ. EXT.
	3"	PIPE SIZE			-AER	ADJ. EXT. USING THREADED RODS
	4"	PIPE SIZE			-PC	PERFORATED COVER
	5"	PIPE SIZE			-1	DECK CLAMP ASY.
	6"	PIPE SIZE			-2	DRAIN RECEIVER
	8"	PIPE SIZE			-3	DECK CLAMP ASY. AND DRAIN RECEIVER
	10"	PIPE SIZE (NO-HUB ONLY)			-3C	DRAIN RECEIVER AND DRAIN RECEIVER CLIPS
					-4	SECONDARY FLASHING CLAMP (-AE ONLY)
	-X	INSIDE CAULK OUTLET			-6	EXTRA WIDE FLANGE DRAIN BODY (-X OUTLET ONLY)
	-Y	HUB OUTLET W/GASKET (2", 3" & 4" SIZES ONLY)			-10	FIXED EXT. COLLAR, CAST IRON (SPECIFY HT.**)
	-Z	NO-HUB SPIGOT OUTLET			-10-20	FIXED EXT. COLLAR, GALV. (SPECIFY HT.**)
	-T	THREADED OUTLET			-17*	2" HIGH SOLID CLAMPING COLLAR
					-20	GALV. CAST IRON PARTS
					-66	NO-HUB SIDE OUTLET (2" THRU 6" OUTLETS ONLY)

DATE OF LAST CHANGE: 12/14/11

DIMENSIONS ARE SUBJECT TO MANUFACTURERS TOLERANCES AND CHANGE WITHOUT NOTICE. WE CAN ASSUME NO RESPONSIBILITY FOR USE OF SUPERSEDED OR VOID DATA.

JOSAM COMPANY
MICHIGAN CITY, INDIANA

NOTES