

SPECIFICATION:

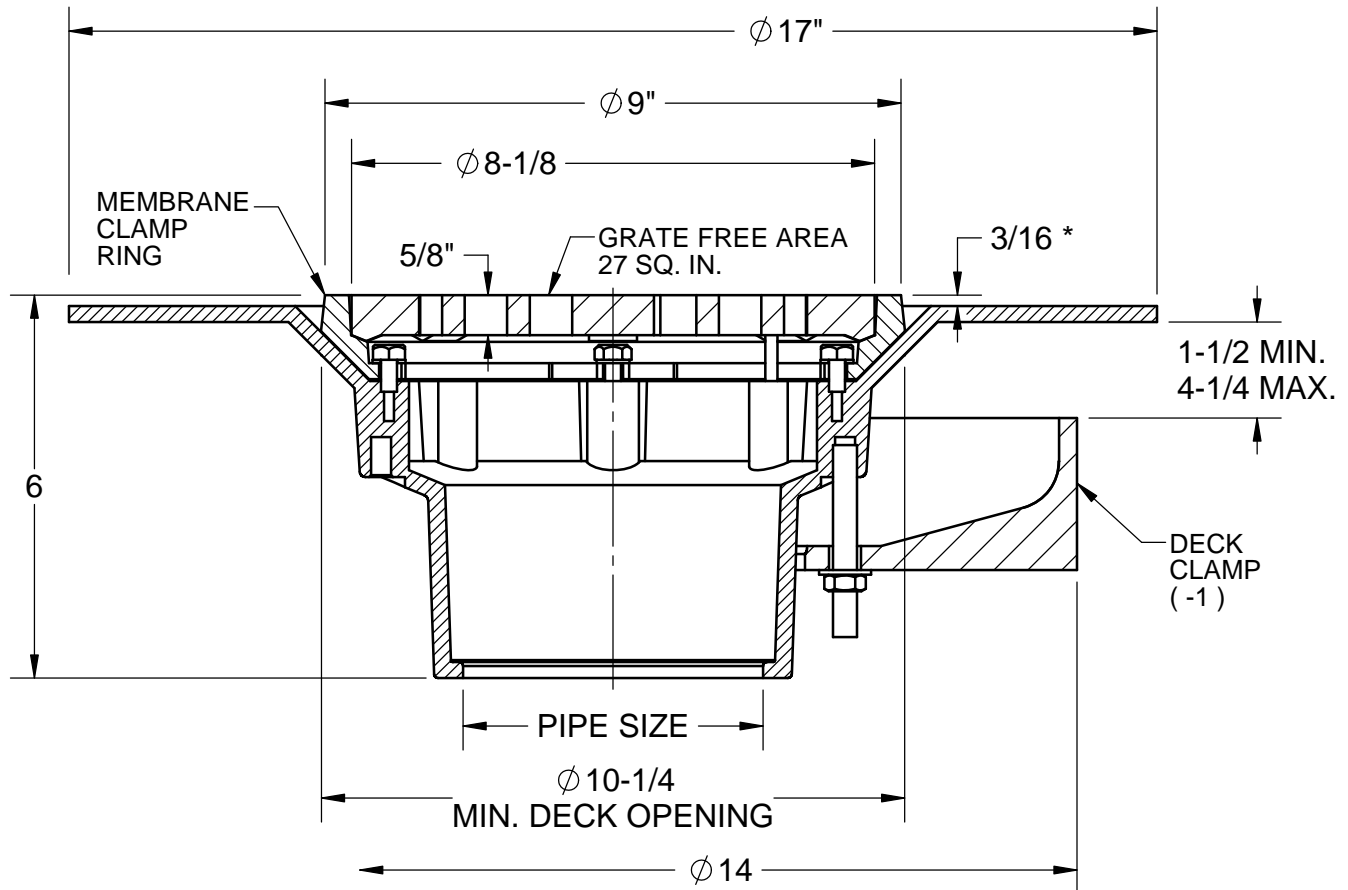
JOSAM SERIES 24020 COATED CAST IRON SUPER-FLO ROOF DRAIN, ROUND MEDIUM-DUTY ANTI-TILTING GRATE WITH PERIMETER DRAINAGE SLOTS, SET IN ROUND NON-PUNCTURING MEMBRANE CLAMP RING, MEDIUM SUMP WITH WIDE DECK FLANGE AND BOTTOM INSIDE CAULK OUTLET CONNECTION.

**ROOF DRAIN
COMPOSITION DECK**

SERIES **24020**

SLOT WIDTH 3/8" (-50 & -51 SLOT WIDTH 3/16")

* ADD 1/4" WHEN FURNISHED WITH NIKALOY OR BRASS TOP



2"	PIPE SIZE			-31	CHAIN ANCHORED GRATE
3"	PIPE SIZE			-36	DUCTILE IRON GRATE (CAST IRON TOP ONLY)
4"	PIPE SIZE			-38	LESS GRATE
				-50	SATIN FINISH NIKALOY TOP
-1	DECK CLAMP ASSEMBLY			-51	SATIN FINISH BRONZE TOP
-20	GALVANIZED CAST IRON PARTS				
-29	SEDIMENT BUCKET, CAST IRON			-VP	SECURED GRATE
-29-20	SEDIMENT BUCKET, GALVANIZED				
			X	-X	INSIDE CAULK OUTLET

DATE OF LAST CHANGE: 8/23/2011

DIMENSIONS ARE SUBJECT TO MANUFACTURERS TOLERANCES AND CHANGE WITHOUT NOTICE. WE CAN ASSUME NO RESPONSIBILITY FOR USE OF SUPERSEDED OR VOID DATA.

JOSAM COMPANY
MICHIGAN CITY, INDIANA

NOTES