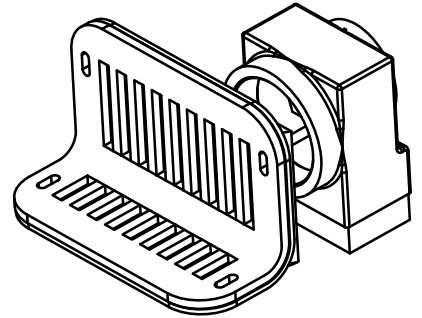
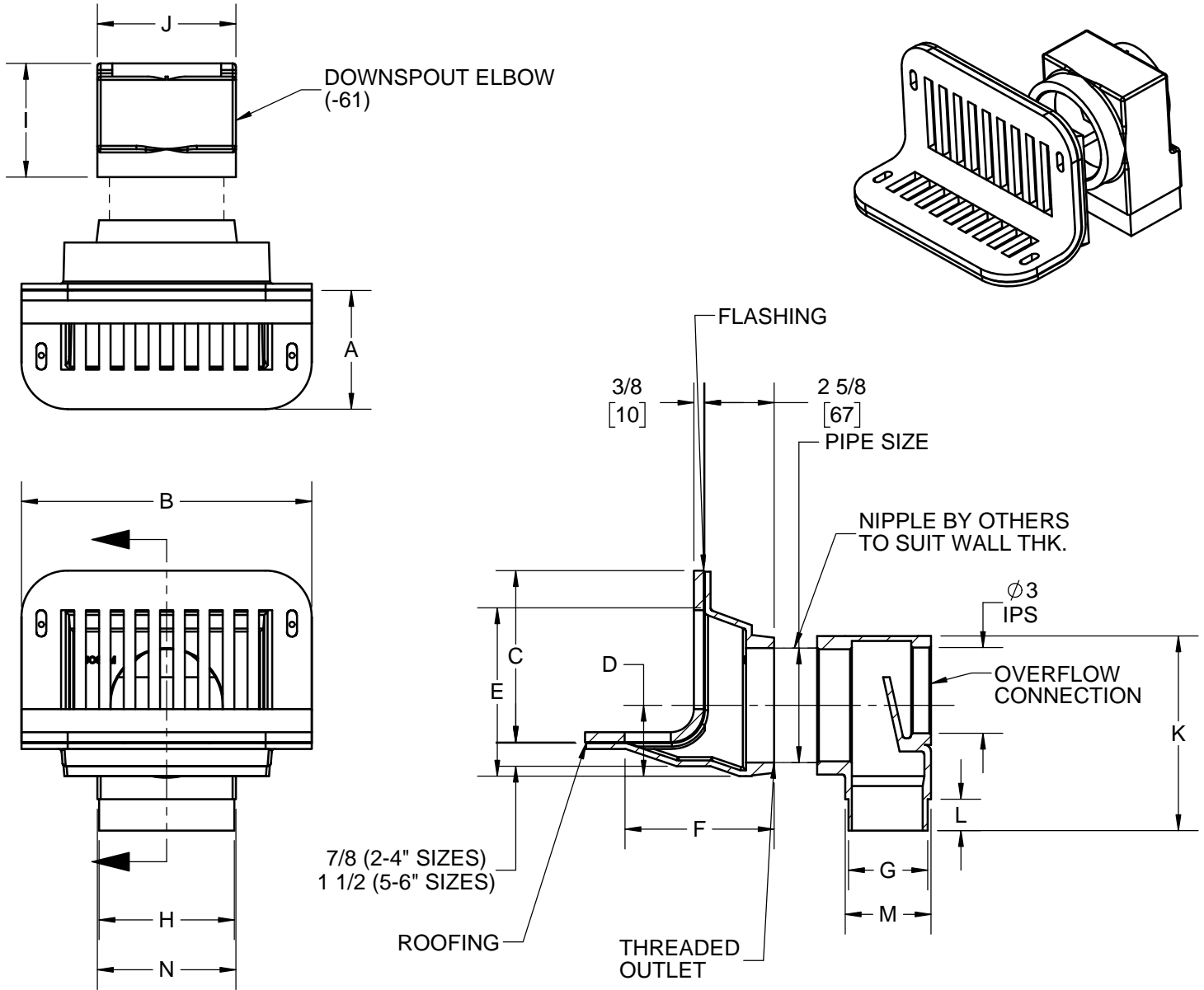


**SPECIFICATION:**

JOSAM 24720 SERIES COATED CAST IRON PARAPET TYPE ROOF DRAIN, SECURED ANGLE GRATE WITH FLASHING CLAMP, SHALLOW SUMP WITH FLASHING FLANGE AND SIDE OUTLET THREADED CONNECTION.

**ROOF DRAIN  
PARAPET TYPE, ANGLE GRATE**

SERIES **24720**



	PIPE SIZE	A	B	C	D	E	F	G	H	I	J	K	L	M	N	GRATE FREE AREA
	2"	4-1/2	11	6-1/2	1-1/2	6-3/8	5-5/8	3	5-1/8	4-1/8	5-1/4	7-3/8	1-1/4	3-1/4	5-1/4	25.9
	3"	4-1/2	11	6-1/2	2-1/8	6-3/8	5-5/8	3	5-1/8	4-1/8	5-1/4	7-3/8	1-1/4	3-1/4	5-1/4	25.9
	4"	4-1/2	11	6-1/2	2-5/8	6-3/8	5-5/8	3	5-1/8	4-1/8	5-1/4	7-3/8	1-1/4	3-1/4	5-1/4	25.9
	5"	5-1/2	13	7-1/2	3-1/2	8-1/8	6-5/8	4	6-1/8	5	7-1/2	10-3/4	1-3/4	4-1/4	7-1/2	41.3
	6"	5-1/2	13	7-1/2	3-1/2	8-1/8	6-5/8	4	6-1/8	5	7-1/2	10-3/4	1-3/4	4-1/4	7-1/2	41.3

-45	BODY WITH 45° THREADED OUTLET Δ
-20	GALVANIZED CAST IRON PARTS
-23	ROUGH BRONZE GRATE
-24	ROUGH NIKALOY GRATE

-50	SATIN FINISH NIKALOY GRATE
-51	SATIN FINISH BRONZE GRATE
-61	DOWNSPOUT ELBOW (CAST IRON)
-61-20	DOWNSPOUT ELBOW (GALVANIZED)
-VP	VANDAL-PROOF GRATE

Δ SEPARATE SUBMITTAL FOR THIS OPTION AVAILABLE

DATE OF LAST CHANGE: 6/28/18

DIMENSIONS ARE SUBJECT TO MANUFACTURERS TOLERANCES AND CHANGE WITHOUT NOTICE. WE CAN ASSUME NO RESPONSIBILITY FOR USE OF SUPERSEDED OR VOID DATA.

**JOSAM**  
MICHIGAN CITY, INDIANA

NOTES

WARNING: Cancer and Reproductive Harm - www.P65Warnings.ca.gov