

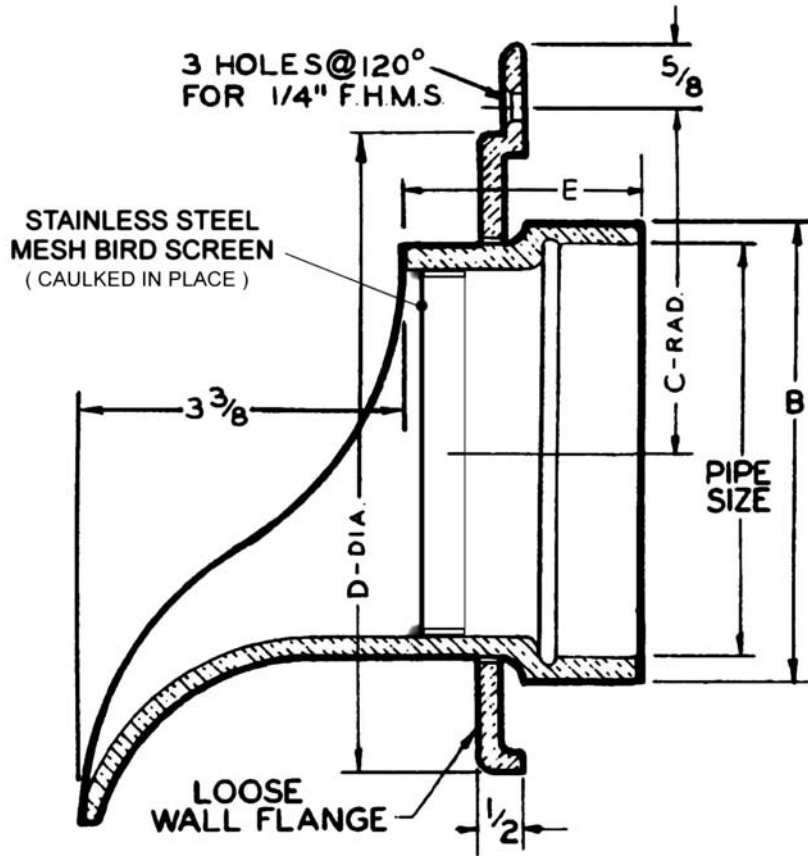
SPECIFICATION:

JOSAM 25010-BS SERIES COATED CAST BRONZE DOWNSPOUT NOZZLE, LOOSE WALL FLANGE, CAULKED IN PLACE BIRD SCREEN AND THREADED INLET OR NO-HUB INLET CONNECTIONS.

**ROOF DRAIN
DOWNSPOUT NOZZLE**

SERIES

25010-BS



THREADED INLET

TYPE	PIPE SIZE	B	C	D	E
25012	2"*	4	3-3/8	6	2-5/8
25013	3"	4	3-3/8	6	2-5/8
25014	4"	5	3-7/8	7	2-5/8
25015	5"*	7-1/2	4-7/8	9	2-5/8
25016	6"	7-1/2	4-7/8	9	2-5/8
25018	8"	9-5/8	5-7/8	11	2-5/8
25019	10"	11-1/4	6-3/4	12-3/4	2-5/8

NO-HUB INLET

TYPE	PIPE SIZE	B	C	D	E
25012-Z	2"	2-3/8	2-7/8	5-7/16	3-5/8
25013-Z	3"	3-1/2	3-7/8	6-7/16	3-5/8
25014-Z	4"	4-1/2	3-7/8	7-7/16	3-5/8
25015-Z	5"	5-9/16	4-7/8	8-7/16	3-5/8
25016-Z	6"	6-5/8	4-7/8	9-7/16	3-5/8
25018-Z	8"	8-5/8	5-7/8	11-7/16	3-5/8
25019-Z	10"	10-3/4	6-7/8	13-1/16	3
25010-12-Z	12"	12-3/4	7-7/8	15-1/16	3

- 24 ROUGH NIKALOY
- 51 SATIN FINISH BRONZE
- BS BIRD SCREEN

* FOR 2" SIZE. FURNISHED WITH 3" BODY WITH 3" X 2" C.I. REDUCING BUSHING
FOR 5" SIZE. FURNISHED WITH 6" BODY WITH 6" X 5" C.I. REDUCING BUSHING

DRAWING Date: 06/08/11

JOSAM COMPANY
MICHIGAN CITY, INDIANA

NOTES: