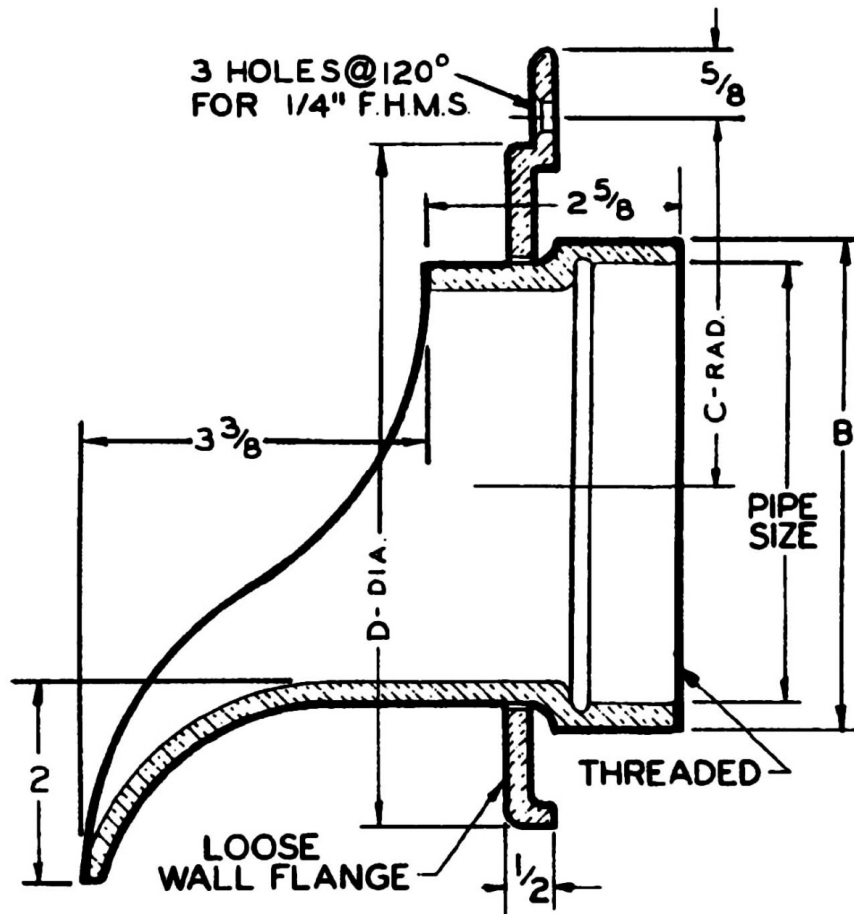


25010

Roof Drain Downspout Nozzle

Specification

Josam 25010 series coated cast bronze downspout nozzle, loose wall flange and inlet threaded connection.



Pipe size	B	C	D
2" *	4	3-3/8	6
3"	4	3-3/8	6
4"	5	3-7/8	7
5" *	7-1/2	4-7/8	9

Pipe size	B	C	D
6"	7-1/2	4-7/8	9
8"	9-5/8	5-7/8	11
10"	11-1/4	6-3/4	12-3/4

-24	Rough nikaloy
-51	Satin finish bronze
-BS	Bird screen

* For 5" size. Furnished with 6" body with 6" x 5" C.I. reducing bushing.
For 2" size. Furnished with 3" body with 3" x 2" C.I. reducing bushing.

Josam product specifications in U.S. customary units are approximate and provided for reference only. For precise measurements, please contact Josam Technical Support. Josam reserves the right to change or modify product design, construction, specifications, or materials without prior notice and without incurring any obligation to make such changes and modifications on Josam products previously or subsequently sold.

Notes:



A WATTS Brand