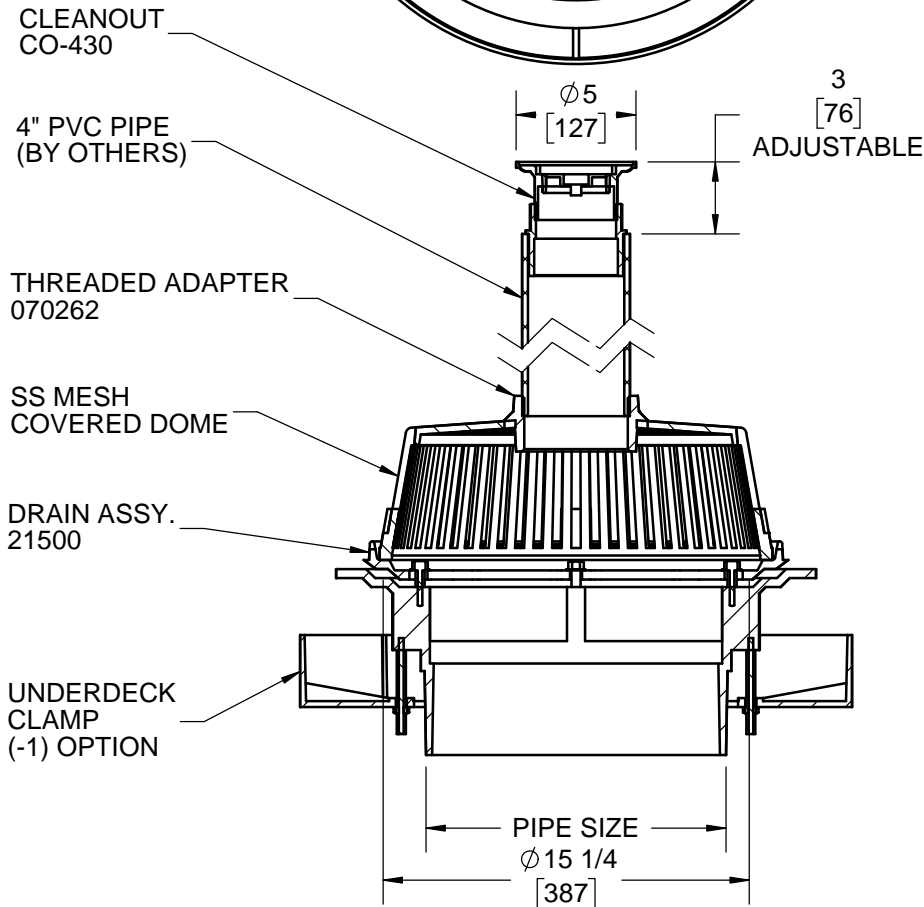
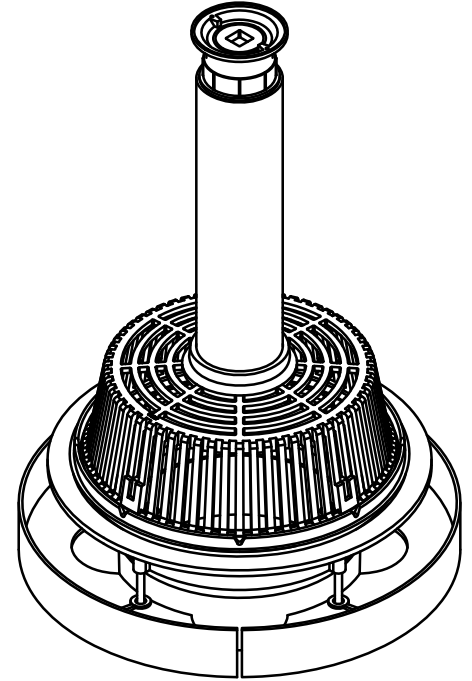
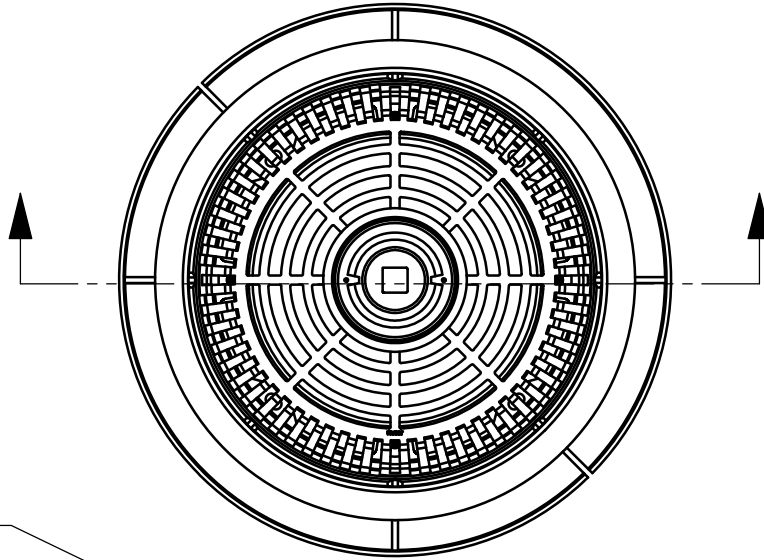


SPECIFICATION:

JOSAM SERIES 29100-Q265 COATED CAST IRON ROOF DRAIN, NON-PUNCTURING CLAMP RING WITH INTEGRAL GRAVEL STOP, LARGE CAST IRON DOME COVERED WITH STAINLESS STEEL MESH SCREEN, AND PVC CLEANOUT WITH ROUND NIKALOY TOP, BRONZE PLUG AND 3"-4" SOLVENT WELD OUTLET.
SEE 29100 AND CO-430 SUBMITTALS FOR SPECIFIC DETAILS.

**DRAIN
SUBSURFACE
WITH CLEANOUT**

SERIES **29100-Q265**



-1	UNDERDECK CLAMP
-2	DRAIN RECEIVER (24" SQ.)
-VP	VANDALPROOF DOME
-X	CAULK OUTLET
-Y	PUSH-ON OUTLET
-T	THREADED OUTLET
-Z	NO-HUB OUTLET

PIPE SIZE
2"
3"
4"
5"
6"
8"

WARNING: Cancer and Reproductive Harm - www.P65Warnings.ca.gov

DATE OF LAST CHANGE: 7/12/18

DIMENSIONS ARE SUBJECT TO MANUFACTURERS TOLERANCES AND CHANGE WITHOUT NOTICE. WE CAN ASSUME NO RESPONSIBILITY FOR USE OF SUPERSEDED OR VOID DATA.

JOSAM
MICHIGAN CITY, INDIANA

NOTES