

**SPECIFICATION:**

JOSAM 30000-A-SS SERIES TYPE 304 CAST STAINLESS STEEL FLOOR DRAIN, TWO-PIECE BODY WITH DOUBLE DRAINAGE FLANGE, WEJLOC® INVERTIBLE FLASHING COLLAR, WEEPHOLES, BOTTOM OUTLET CONNECTION AND ADJUSTABLE ROUND SUPER-FLO® STRAINER.

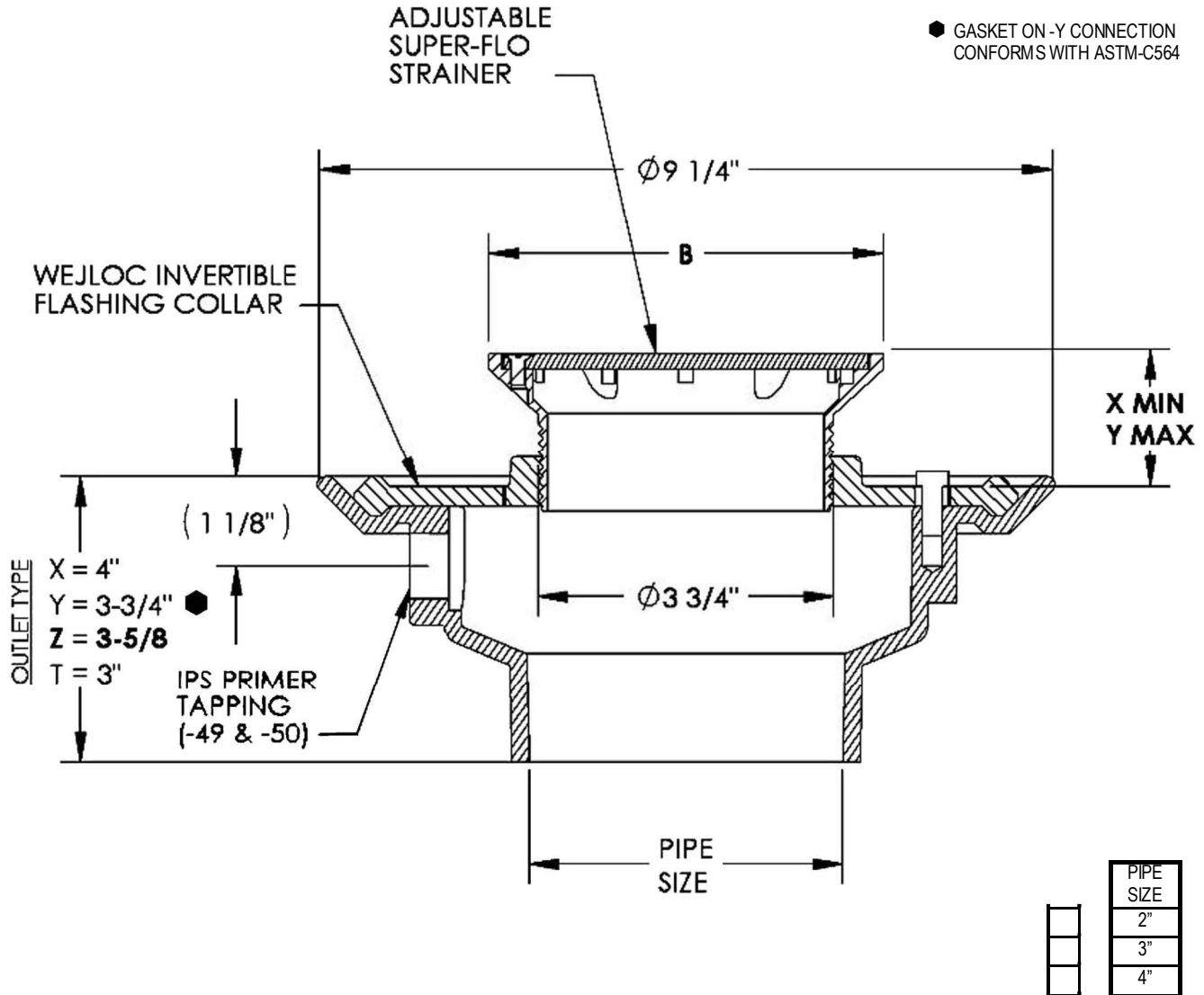
**STAINLESS STEEL  
ADJUSTABLE FLOOR DRAIN**

**SERIES 30000-A-SS**

SLOT WIDTH 1/4"

FORMERLY 54200 SERIES

● GASKET ON -Y CONNECTION  
CONFORMS WITH ASTM-C564



- VP SECURED GRATE, VANDAL-PROOF SCREWS
- 50 1/2" PRIMER TAP
- 67 TYPE 316 CAST STAINLESS STEEL
- 80 PERFORATED STAINLESS STEEL BASKET
- T THREADED OUTLET
- X INSIDE CAULK OUTLET
- Y HUB OUTLET WITH GASKET ●
- Z NO-HUB SPIGOT OUTLET

STRAINER	B	X	Y	FREE AREA
-5A-SS	5	3/4	2-1/8	7.8
-6A-SS	6	1-1/4	2-3/8	11.0
-7A-SS	7	1-1/8	2-7/8	13.2
-8A-SS	8	1-5/8	2-5/8	16.2

DRAWING No.

A-14694SS-K

**JOSAM COMPANY**  
MICHIGAN CITY, INDIANA

NOTES: