

30000-S-SS

Stainless Steel

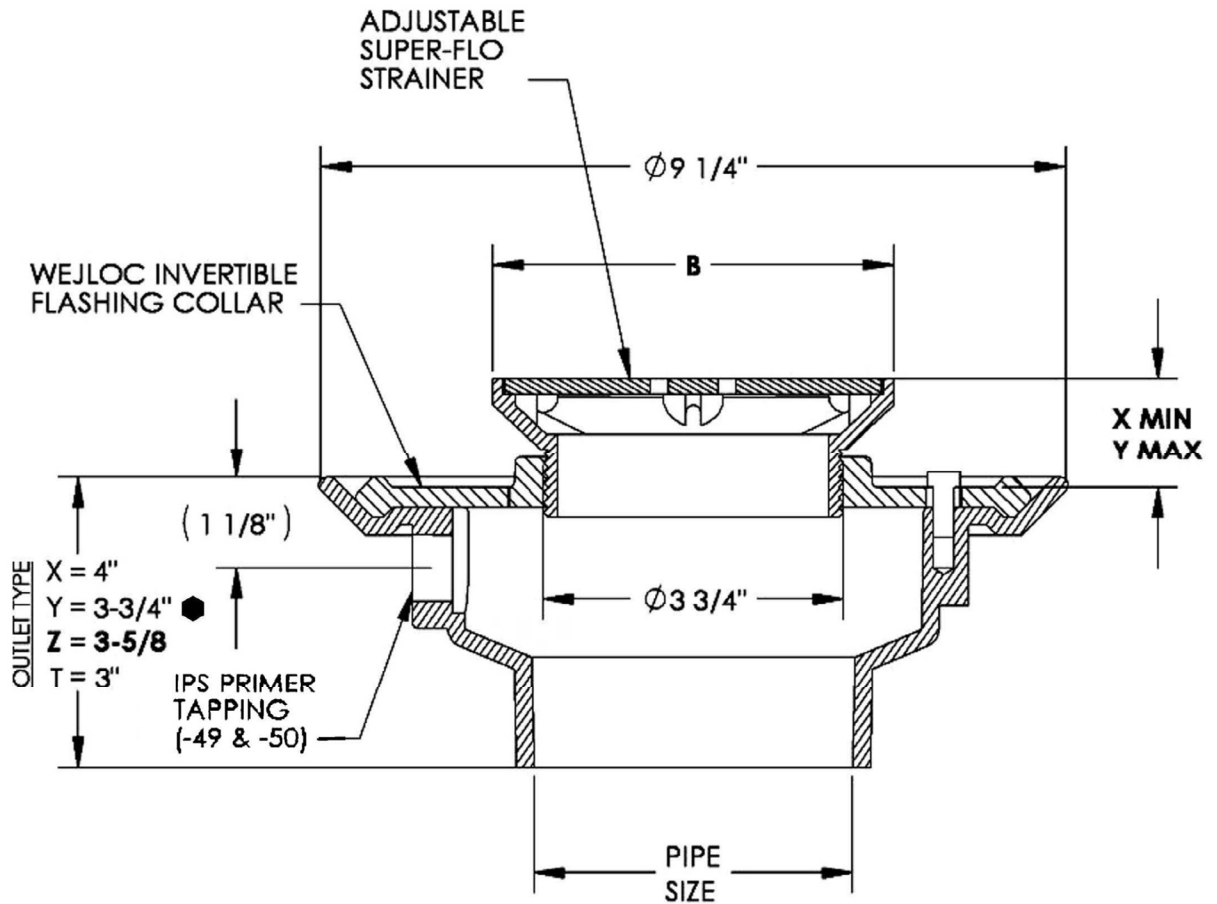
Adjustable Floor Drain

Specification

Josam 30000-S-SS Series Type 304 cast stainless steel floor drain with two-piece body, double drainage flange, Wejloc® invertible flashing collar with weepholes, bottom outlet connection, and adjustable square Super-Flo® strainer.

Slot width: 1/4".

● Gasket on -Y connection conforms with ASTM-C564.



-VP	Secured grate, vandal-proof screws	-T	Threaded outlet	Strainer	B	X	Y	Free Area	Pipe Size
-50	1/2" primer tap	-X	Inside caulk outlet	-5S-SS	5	7/8	1-7/8	9.1	2"
-67	Type 316 cast stainless steel	-Y	Hub outlet with gasket ●	-6S-SS	6	7/8	2-1/4	13.8	3"
-80	Perforated stainless steel basket	-Z	No-hub spigot outlet	-8S-SS	8	1-1/4	2-1/2	24.5	4"

Josam product specifications in U.S. customary units are approximate and provided for reference only. For precise measurements, please contact Josam Technical Support. Josam reserves the right to change or modify product design, construction, specifications, or materials without prior notice and without incurring any obligation to make such changes and modifications on Josam products previously or subsequently sold.

Notes:



A WATTS Brand