

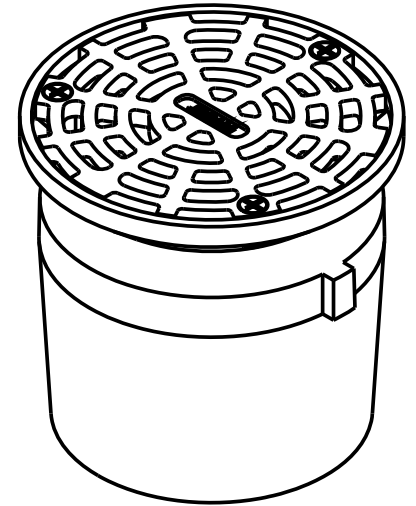
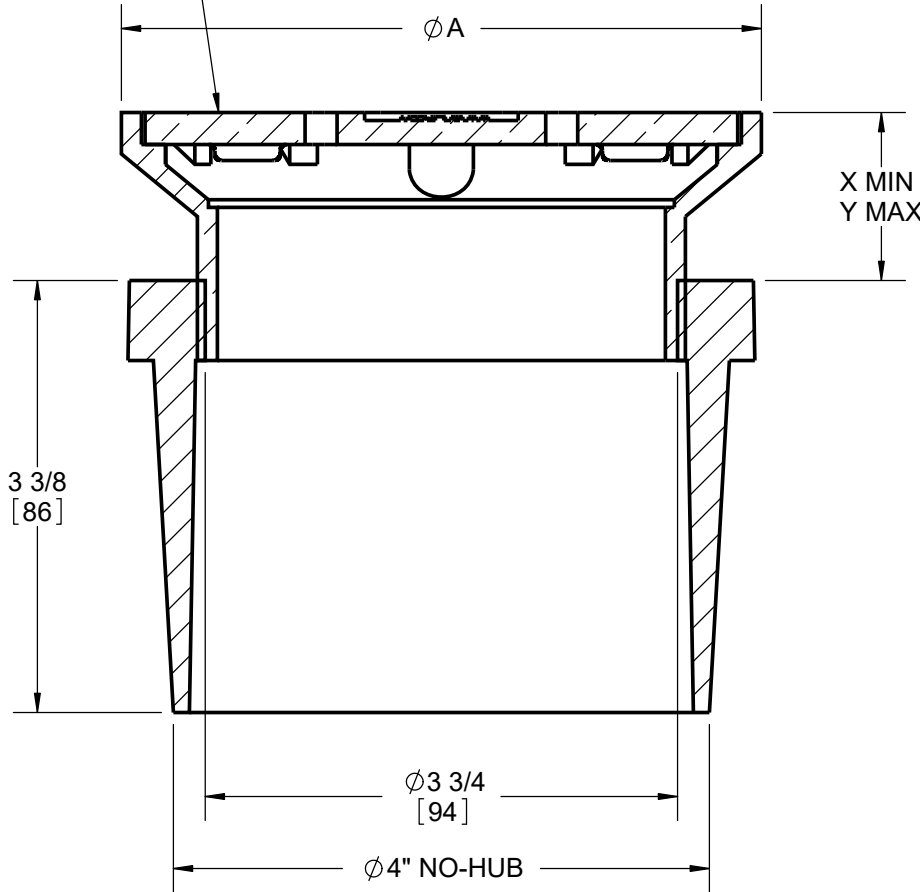
**SPECIFICATION:**

JOSAM SERIES 30304-Z-A COATED CAST IRON FLOOR DRAIN WITH JOSAM ADJUSTABLE ROUND NIKALOY STRAINER.

**FLOOR DRAIN**  
**4" NO-HUB**  
**ROUND ADJUSTABLE STRAINER**

SERIES **30304-Z-A**

ADJUSTABLE  
 SUPER-FLO  
 STRAINER



ADJUSTABLE STRAINERS					
TYPE NO.	C	X	Y	FREE AREA	
5A	5	3/4	2-1/8	7.8	
6A	6	1-1/4	2-3/8	11.0	
7A	7	1-1/8	2-7/8	13.2	
8A	8	1-5/8	2-5/8	16.2	

-HD	HEAVY DUTY LOAD RATING (5A&6A ONLY)
-SS	STAINLESS STEEL STRAINER PARTS
-2	SATIN FIN. BRONZE STRAINER PARTS
-80	PERF. STAINLESS STEEL BASKET
-CP	CHROME PLATED STRNR (5A,6A)
-J	BACKWATER VALVE
-VP	SECURED GRATE, VANDAL-PROOF SCREWS
-ARE	ACID-RESISTING EPOXY
-92	GALVANIZED CAST IRON PARTS

WARNING: Cancer and Reproductive Harm - www.P65Warnings.ca.gov

DATE OF LAST CHANGE: 07/24/18

DIMENSIONS ARE SUBJECT TO MANUFACTURERS TOLERANCES AND CHANGE WITHOUT NOTICE. WE CAN ASSUME NO RESPONSIBILITY FOR USE OF SUPERSEDED OR VOID DATA.

**JOSAM**

MICHIGAN CITY, INDIANA

NOTES