

**SPECIFICATION:**

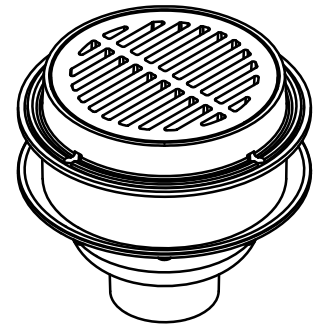
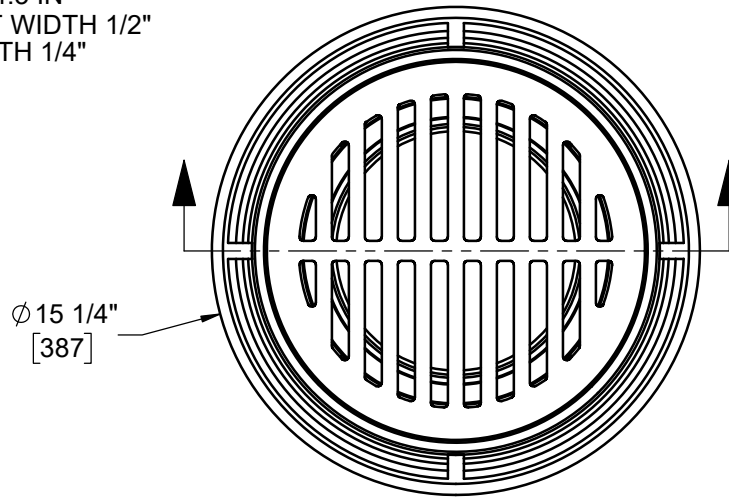
JOSAM 32330-SD SERIES COATED CAST IRON FLOOR DRAIN WITH DOUBLE DRAINAGE FLANGE, WEJLOC®, NON-PUNCTURING CLAMP COLLAR, WEEPHOLES, BOTTOM OUTLET, ROUND TOP, REMOVABLE SEDIMENT BUCKET AND SPECIAL-DUTY LOOSE-SET GRATE.

**FLOOR DRAIN**  
**12" ROUND TOP, DEEP SUMP**  
**WITH BUCKET**

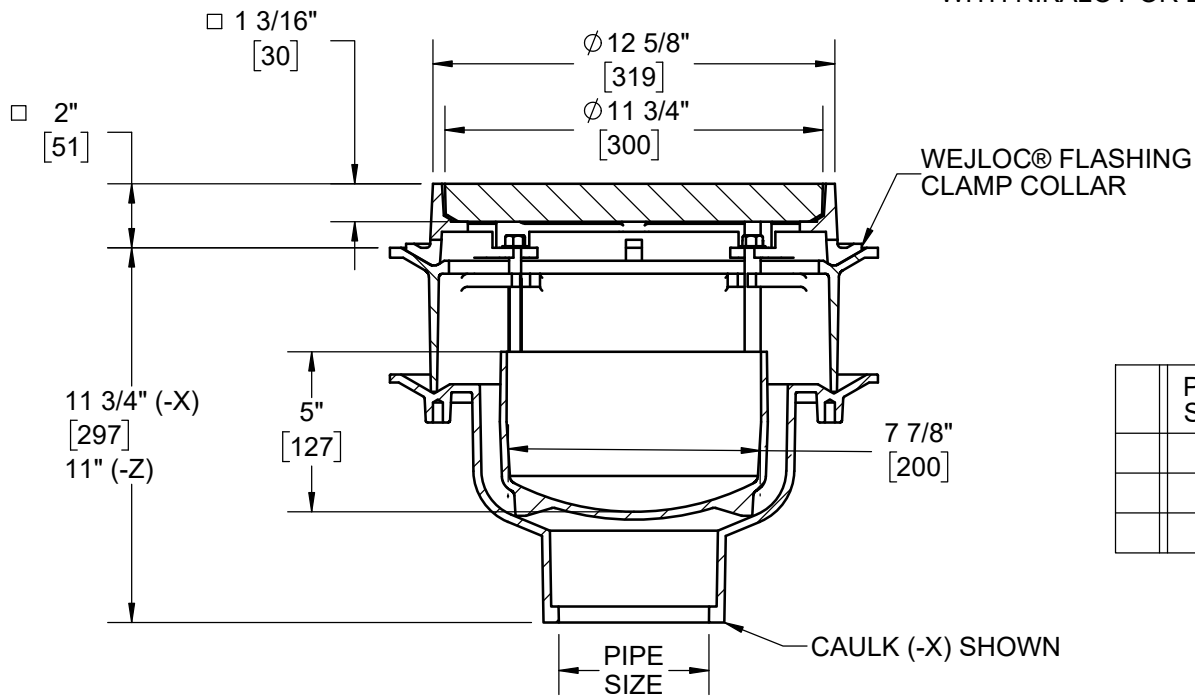
SERIES **32330-SD**

GRATE FREE AREA: 34.3 IN<sup>2</sup>  
 STD. CAST IRON SLOT WIDTH 1/2"  
 -19 AND -20 SLOT WIDTH 1/4"

FORMERLY 36340 SERIES



□ ADD 1/4" WHEN FURNISHED WITH NIKALOY OR BRONZE TOP



	PIPE SIZE
□	2"
□	3"
□	4"

X	-SD	SPECIAL-DUTY GRATE
	-15	CHAINED GRATE
	-19	CAST IRON UNDERGRATE WITH SATIN FINISH NIKALOY TOP
	-20	CAST IRON UNDERGRATE WITH SATIN FINISH BRONZE TOP
	-44	FIXED EXTENSION, CAST IRON (1" STD. OR SPECIFY HEIGHT)
	-44-92	FIXED EXTENSION, GALVANIZED (1" STD. OR SPECIFY HEIGHT)
	-49	3/4" PRIMER TAP
	-50	1/2" PRIMER TAP

	-66	NO-HUB SIDE OUTLET
	-70	LESS BUCKET
	-84	STAINLESS STEEL MECH BUCKET LINER
	-88	SUPPLEMENTARY STRAINER
	-92	GALVANIZED CAST IRON PARTS
	-TSI	TRAP SEAL INSERT
	-VP	SECURED GRATE, VANDAL-PROOF SCREWS
	-X	INSIDE CAULK OUTLET
	-Z	NO-HUB OUTLET

WARNING: Cancer and Reproductive Harm - www.P65Warnings.ca.gov

DATE OF LAST CHANGE: 04/02/19

DIMENSIONS ARE SUBJECT TO MANUFACTURERS TOLERANCES AND CHANGE WITHOUT NOTICE. WE CAN ASSUME NO RESPONSIBILITY FOR USE OF SUPERSEDED OR VOID DATA.



MICHIGAN CITY, INDIANA

NOTES