

**SPECIFICATION:**

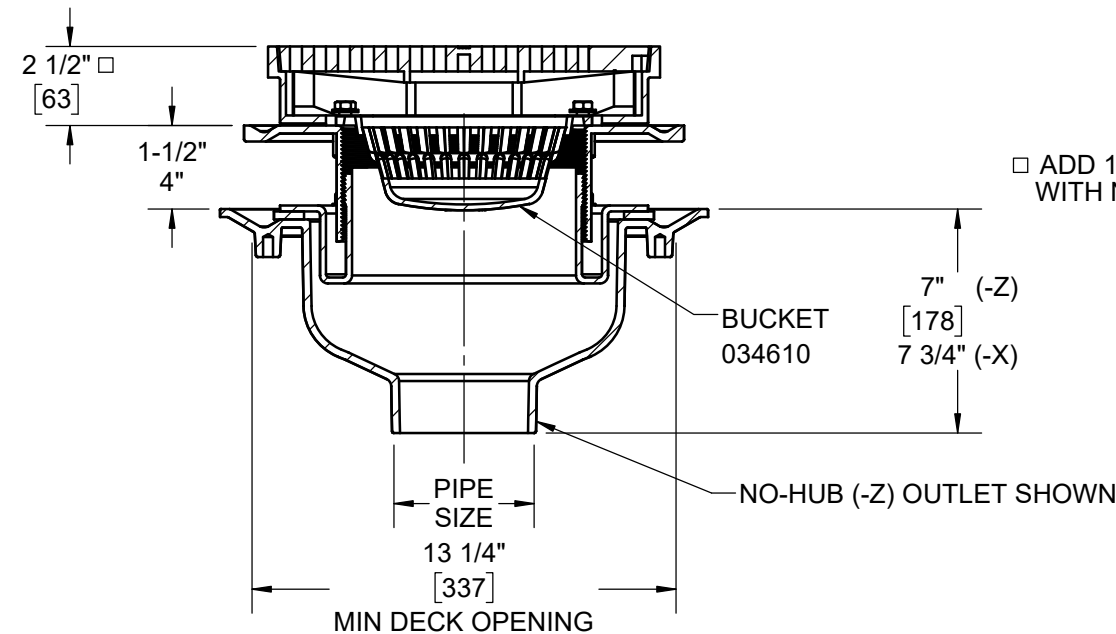
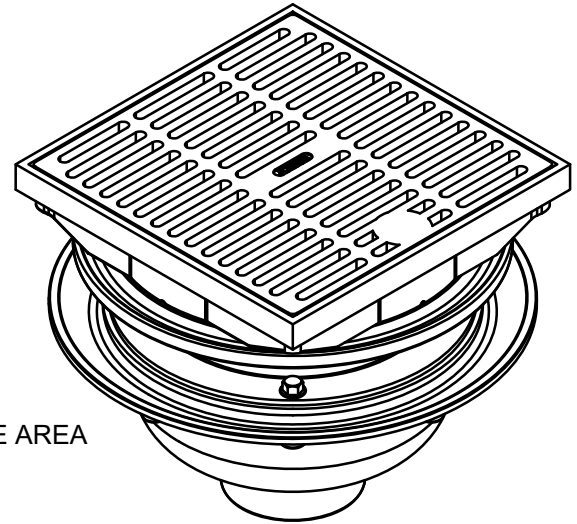
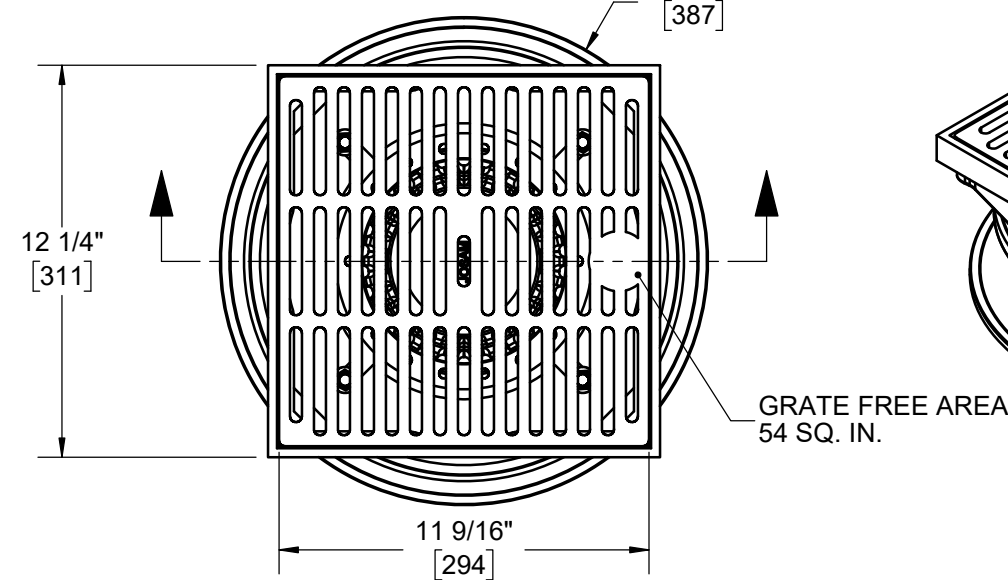
JOSAM 37820-AE SERIES COATED CAST IRON FLOOR DRAIN WITH TWO-PIECE DEEP BODY WITH DOUBLE DRAINAGE FLANGE, NON-PUNCTURING FLASHING FRAME, WEEPHOLES, BOTTOM OUTLET, SQUARE TOP, HEAVY-DUTY LOOSE SET GRATE, ADJUSTABLE EXTENSION, AND REMOVABLE SEDIMENT BUCKET.

**FLOOR DRAIN**

12" HEAVY-DUTY TOP,  
DEEP SUMP, ADJ. EXTENSION

SERIES **37820-AE**

SLOT WIDTH 3/8" (-19 & -20 SLOT WIDTH 3/8")  $\phi 15 \frac{1}{4}$ " [387]



□ ADD 1/4" WHEN FURNISHED WITH NIKALOY OR BRONZE TOP

PIPE SIZE
2"
3"
4"
5"
6"
8"

X	-AE	THREADED LEVELZE ADJ. EXT.	-50	1/2" PRIMER TAP
	-4	SECONDARY FLASHING CLAMP (-AE ONLY)	-66	NO-HUB SIDE OUTLET (2"-6" SIZES ONLY)
	-7	DUCTILE IRON GRATE	-70	LESS BUCKET
	-14	HINGED GRATE	-84	STAINLESS STEEL MESH BUCKET LINER
	-VP	SECURED GRATE, VANDAL-PROOF SCREWS	-88	SUPPLIMENTARY STRAINER
	-18	HINGED GRATE WITH LATCHING DEVICE	-92	GALVANIZED CAST IRON PARTS
	-19	HEAVY-DUTY UNDERGRATE, SATIN FINISH NIKALOY TOP	-ARE	ACID RESISTING EPOXY
	-20	HEAVY-DUTY UNDERGRATE, SATIN FINISH BRONZE TOP	-X	INSIDE CAULK OUTLET
	-39	SOLID CAST IRON COVER	-Z	NO-HUB SPIGOT OUTLET
	-49	3/4" PRIMER TAP		

DATE OF LAST CHANGE: 07/23/18

DIMENSIONS ARE SUBJECT TO MANUFACTURERS TOLERANCES AND CHANGE WITHOUT NOTICE. WE CAN ASSUME NO RESPONSIBILITY FOR USE OF SUPERSEDED OR VOID DATA.



MICHIGAN CITY, INDIANA

NOTES

WARNING: Cancer and Reproductive Harm - www.P65Warnings.ca.gov