

**SPECIFICATION:**

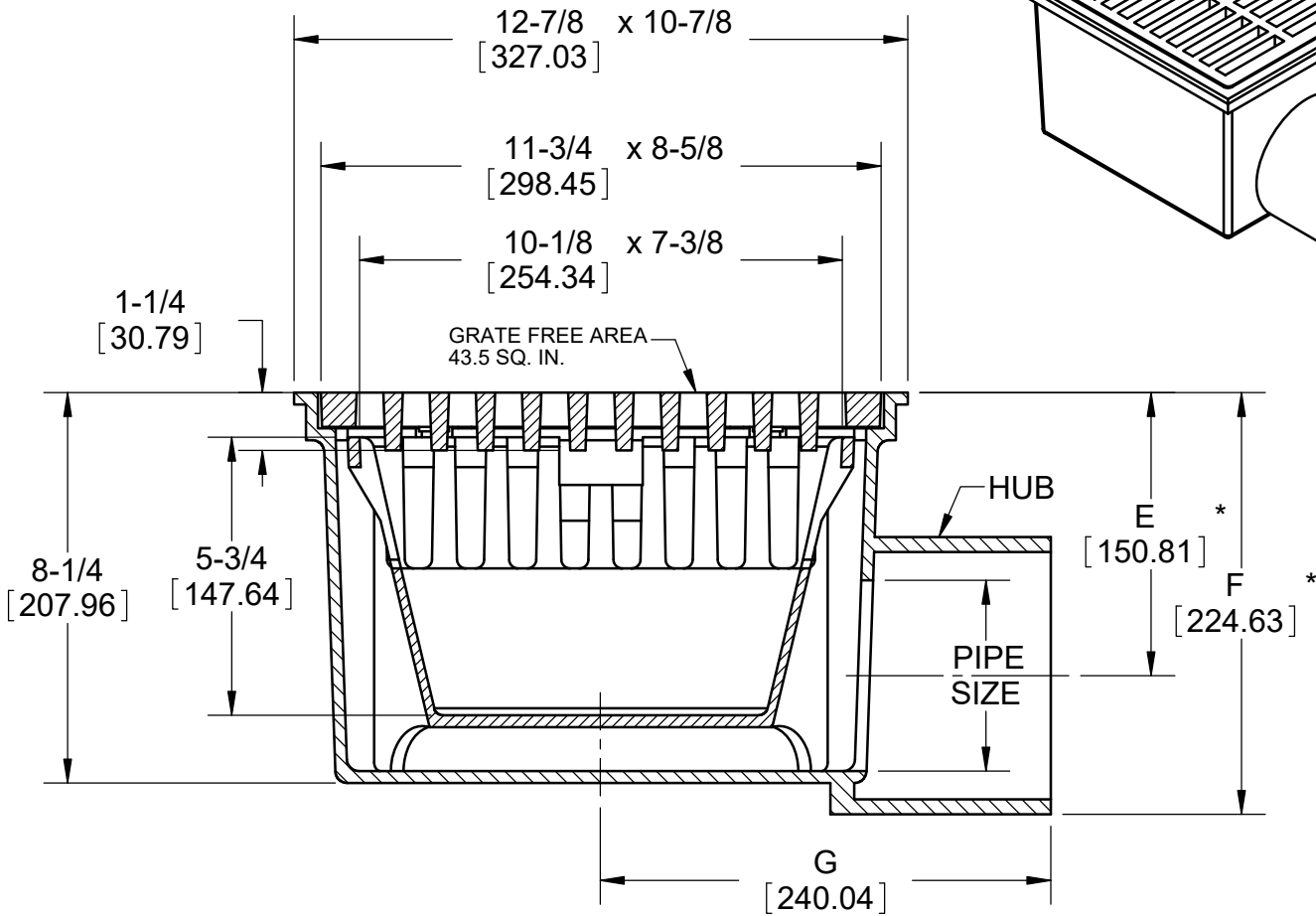
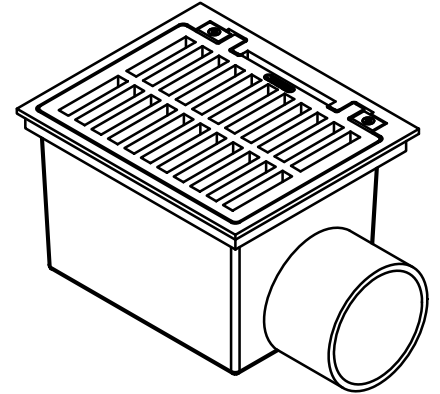
JOSAM 38640 SERIES COATED CAST IRON FLOOR DRAIN WITH SIDE  
OUTLET HUB CONNECTION, RECTANGULAR TOP, REMOVABLE  
SEDIMENT BUCKET AND EXTRA HEAVY-DUTY HINGED GRATE.

**FLOOR DRAIN**  
13" x 11" TOP W/BUCKET

SERIES **38640**

SLOT WIDTH 9/16" ( -1 & -2 SLOT WIDTH 9/16" )

FORMERLY 36640 SERIES



PIPE SIZE	E	F	G
2"	7	8-3/4	8
3"	6-1/2	8-7/8	8-1/4
4"	6	8-7/8	8-5/8

\* ADD 1/4" WHEN FURNISHED WITH NIKALOY OR BRONZE TOP

2"	PIPE SIZE	-7	DUCTILE IRON GRATE
3"	PIPE SIZE	-70	LESS BUCKET
4"	PIPE SIZE	-84	STAINLESS STEEL MESH BUCKET LINER
		-92	GALVANIZED CAST IRON PARTS
-1	SATIN FINISH NIKALOY TOP		
-2	SATIN FINISH BRONZE TOP	-VP	SECURED GRATE, VANDAL-PROOF SCREWS

DATE OF LAST CHANGE: 07/24/18

DIMENSIONS ARE SUBJECT TO MANUFACTURERS TOLERANCES AND CHANGE WITHOUT NOTICE. WE CAN ASSUME NO RESPONSIBILITY FOR USE OF SUPERSEDED OR VOID DATA.

**JOSAM**

MICHIGAN CITY, INDIANA

NOTES

WARNING: Cancer and Reproductive Harm - www.P65Warnings.ca.gov