

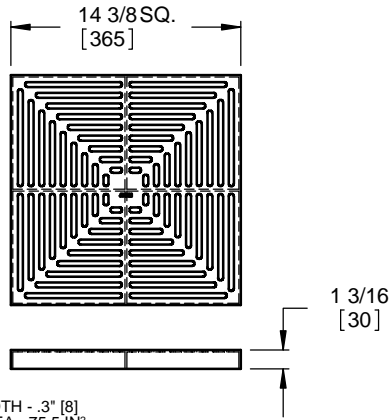
**SPECIFICATION:**

GRATE ASSORTMENT FOR JOSAM 41800 AND 43800 TYPE 304  
16" SQUARE TOP DRAINS.

**SS DRAINS**  
**16" SQUARE TOPS**

**SERIES 41800/43800**

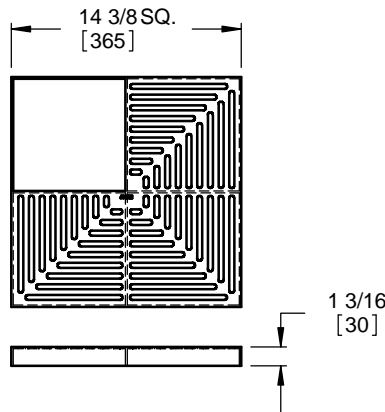
**STANDARD PERFORATED GRATE**



SLOT WIDTH - .3" [8]  
FREE AREA - 75.5 IN<sup>2</sup>

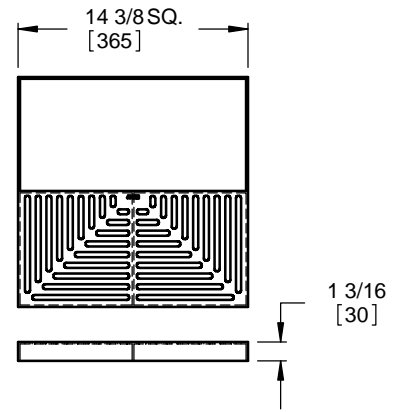
LOAD - LIGHT-DUTY  
MEETS ADA AND HEEL-PROOF REQS.

**- 3Q 3/4 PERFORATED GRATE**



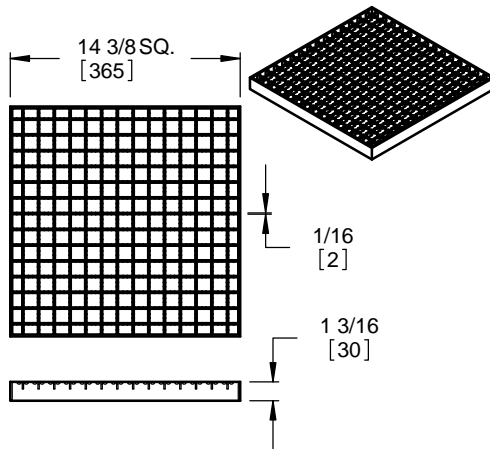
SLOT WIDTH - .3" [8]  
LOAD - LIGHT-DUTY

**- HG PERFORATED 1/2 GRATE**



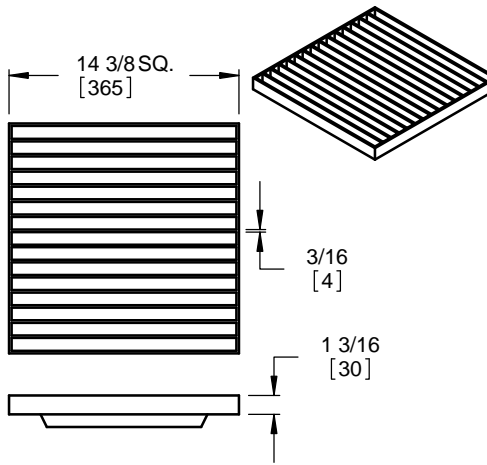
SLOT WIDTH - .3" [8]  
LOAD - LIGHT-DUTY

**- MG ANTI-SLIP MESH GRATE**



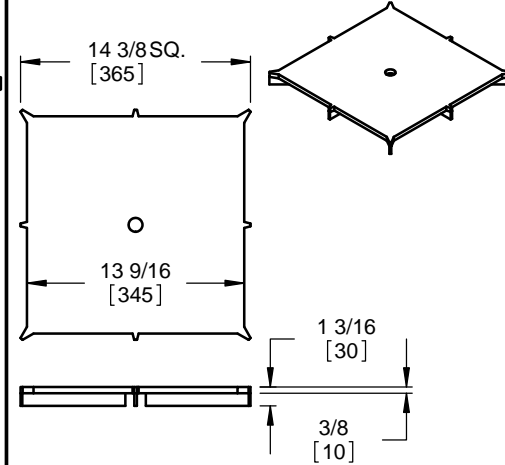
OPENINGS - .9" X .9" [23 X 23]  
LOAD - MEDIUM DUTY

**- LG LADDER GRATE**



SLOT WIDTH - .8" [20]  
LOAD - HEAVY DUTY

**- SG PERIMETER SLOT GRATE**



SLOT WIDTH - .39" [10]  
LOAD - EXTRA-HEAVY DUTY

WARNING: Cancer and Reproductive Harm - www.P65Warnings.ca.gov

DATE OF LAST CHANGE: 7/16/18

DIMENSIONS ARE SUBJECT TO MANUFACTURERS  
TOLERANCES AND CHANGE WITHOUT NOTICE.  
WE CAN ASSUME NO RESPONSIBILITY FOR  
USE OF SUPERSEDED OR VOID DATA.

**JOSAM**  
MICHIGAN CITY, INDIANA

NOTES