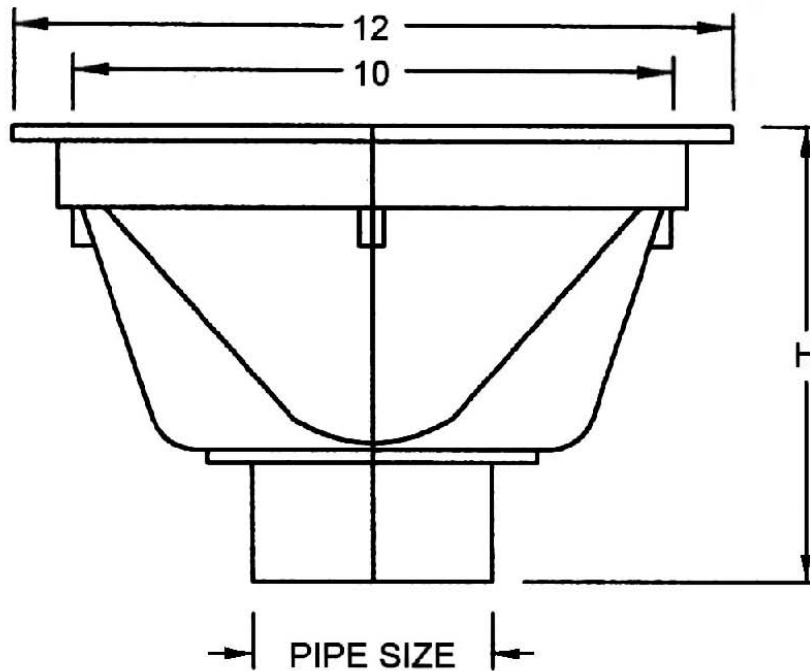


SPECIFICATION:

PVC FLOOR DRAIN/SINK, 12 X 12 TOP WITH FULL PVC MEDIUM-DUTY GRATE, ALUMINUM DOME AND SOLVENT WELD BOTTOM OUTLET FOR SCHEDULE 40 PVC PIPE.

**FLOOR DRAIN/SINK
PVC**

SERIES **49320-PVC**



	MODEL NO.	PIPE SIZE	H
	49322-PVC	2"	6-7/8"
	49323-PVC	3"	7-5/8"
	49324-PVC	4"	7-7/8"

	OPTIONS
-LG	LESS GRATE
-HG	HALF GRATE - PVC
-3Q	3/4 GRATE - PVC
-NB	NICKEL BRONZE TRAFFIC TOP
-3	1/2 GRATE - NICKEL BRONZE
-4	3/4 GRATE - NICKEL BRONZE
-5	NIKALOY EXTRA HEAVY DUTY GRATE/RIM
-7	FULL GRATE W/ 2-1/2" CENTER OPENING
-VP (NB)	SECURED GRATE - VANDAL RESISTANT SCREWS
-16	GRATE WITH 4" ROUND FUNNEL - NB ONLY
-17	GRATE WITH 6" ROUND FUNNEL - NB ONLY
-18	GRATE WITH 9"X3-1/2" OVAL FUNNEL - NB ONLY
-24	CHAINED GRATE - NB ONLY
-50	1/2" PRIMER TAP

DATE OF LAST CHANGE: 03/12/08

DIMENSIONS ARE SUBJECT TO MANUFACTURERS TOLERANCES AND CHANGE WITHOUT NOTICE. WE CAN ASSUME NO RESPONSIBILITY FOR USE OF SUPERSEDED OR VOID DATA.

JOSAM COMPANY
MICHIGAN CITY, INDIANA

NOTES