

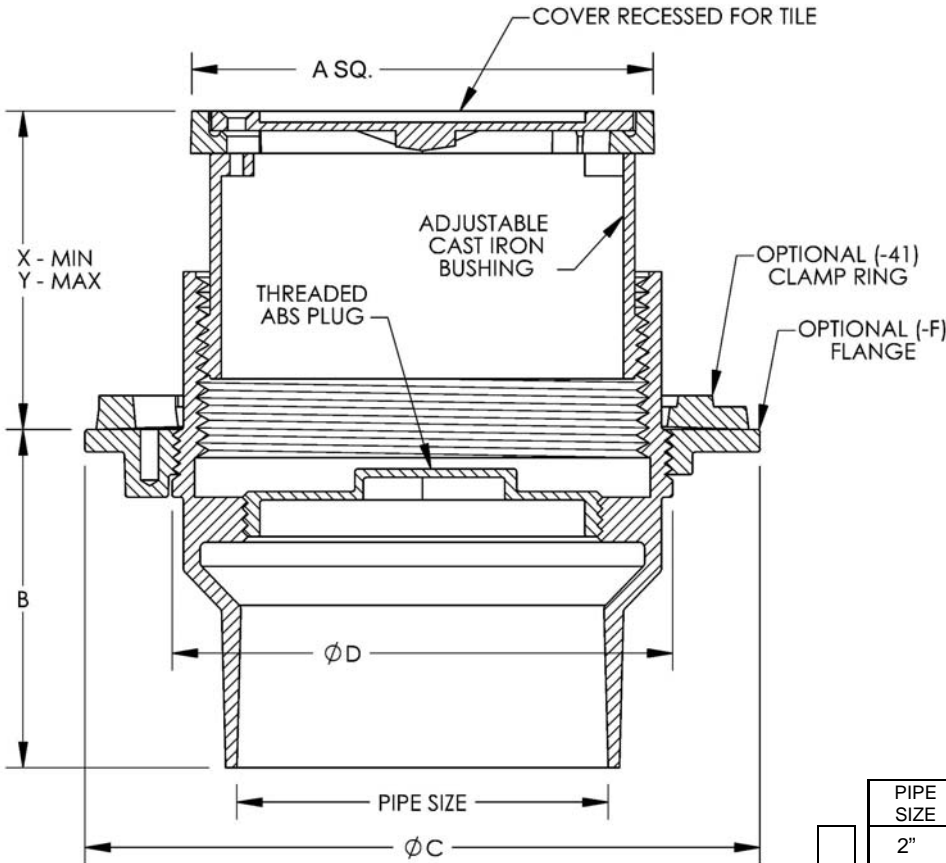
SPECIFICATION:

JOSAM 55000-1-12-SQ SERIES COATED CAST IRON KLEENATRON® II
 LEVELEZE® FLOOR CLEANOUT, INTERNAL ABS CLEANOUT PLUG,
 ADJUSTABLE CAST IRON HOUSING WITH MEDIUM-DUTY SCORIATED
 SECURED SQUARE SATIN NIKALOY COVER RECESSED FOR TILE.

CLEANOUT

SQUARE NIKALOY TOP, RECESSED FOR TILE

SERIES 55000-1-12-SQ



PIPE SIZE	A	B	C	D	X	Y
2"	5-3/8	3-3/4	7-1/2	5-9/16	2-1/8	3-5/8
3"	5-3/8	3-3/4	7-1/2	5-9/16	2-1/8	3-5/8
4"	5-3/8	3-3/4	7-1/2	5-9/16	2-1/8	3-5/8
4" -X	7	4-1/4	9-3/16	7	2	3-11/16
5" -Z	5-3/8	3-3/4	7-1/2	5-9/16	2-1/8	3-5/8
6" -Z	7	4-1/4	9-3/16	7	2	3-11/16

- SQ SQUARE TOP
- 1-12 COVER RECESSED FOR TILE, SATIN FINISH NIKALOY
- 14 CARPET CLEANOUT MARKER
- VP SECURED COVER, VANDAL-PROOF SCREWS
- 22 TAPER THREAD BRONZE PLUG
- 31 GALVANIZED CAST IRON PARTS
- 41 CLAMP RING AND FLANGE

- F FLANGE ONLY
- WF WIDE FLANGE
- CFC CARPET CLEANOUT FLANGE COVER
- X INSIDE CAULK OUTLET
- Y HUB OUTLET W/ GASKET (2", 3" & 4" SIZE'S ONLY)
- Z NO-HUB OUTLET

Date: 06/28/08

JOSAM COMPANY
 MICHIGAN CITY, INDIANA

NOTES: