

60100-SA-EGOLD

Grease Interceptor

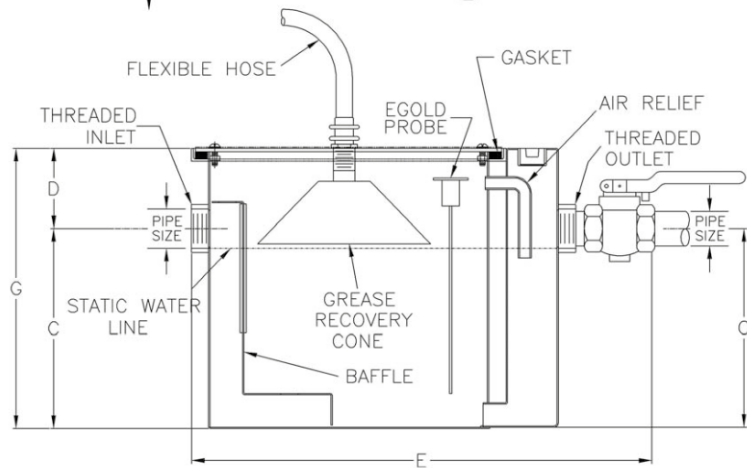
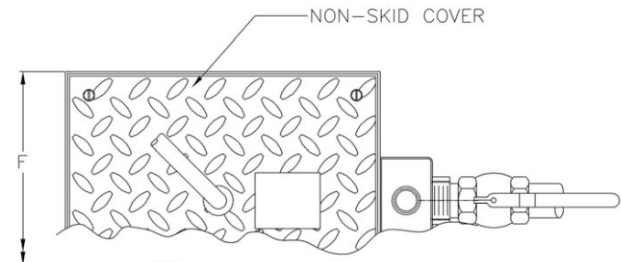
Semi-Automatic On-Floor Type

Specification

Josam 60100-SA-EGOLD series epoxy coated fabricated steel semi-automatic grease interceptor, with threaded connections, internal air-relief, visible double wall trap, removable baffle, gasketed non-skid cover, grease recovery cone, flexible hose, grease draw-off valve, flow control fitting and factory installed Josam EGOLD-1000 electronic grease/oil level detector.

Note: Height of 13" required from top of interceptor to bottom of fixture.

- 3" sizes normally furnished with 4"x 3" reducing bushing.



-EGOLD	Electronic grease/oil level detector
-62	4" inlet and outlet (available on standard 3" sizes)
-65	Hub intel, spigot outlet 2"
-66	Hub intel, spigot outlet 3"
-67	Hub intel, spigot outlet 4"
-85	Enzymatic port in cover
-EXT	Extension, 6" standard (specify extension height)
-RT	Recessed type

Type	Flow rate	Cap LBS	Pipe size	C	D	E	F	G
60102-SA-EGOLD	7	14	2"	7-3/8	2-1/2	20-7/16	9-15/16	9-5/8
60103-SA-EGOLD	10	20	2"	8-3/8	2-7/8	22-1/16	11-9/16	11-1/4
60104-SA-EGOLD	15	30	2"	9-3/8	4	24-3/16	13-3/16	13-3/8
60105-SA-EGOLD	20	40	3"	11-1/2	4-5/8	26-15/16	14-13/16	16-1/8
60106-SA-EGOLD	25	50	3"	13	4-3/8	32	16-7/8	17-3/8
60107-SA-EGOLD	35	70	3"	14-1/2	4	33-5/8	17-7/8	18-1/2
60108-SA-EGOLD	50	100	3"	15-1/2	4-7/8	37-1/4	19-3/4	20-3/8

Josam product specifications in U.S. customary units are approximate and provided for reference only. For precise measurements, please contact Josam Technical Support. Josam reserves the right to change or modify product design, construction, specifications, or materials without prior notice and without incurring any obligation to make such changes and modifications on Josam products previously or subsequently sold.

Notes:



A WATTS Brand