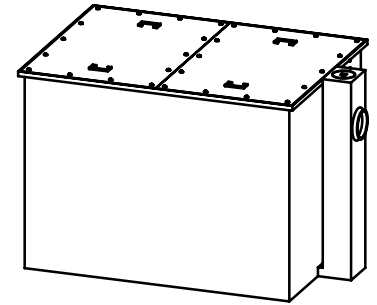


60100-SA-EGOLD

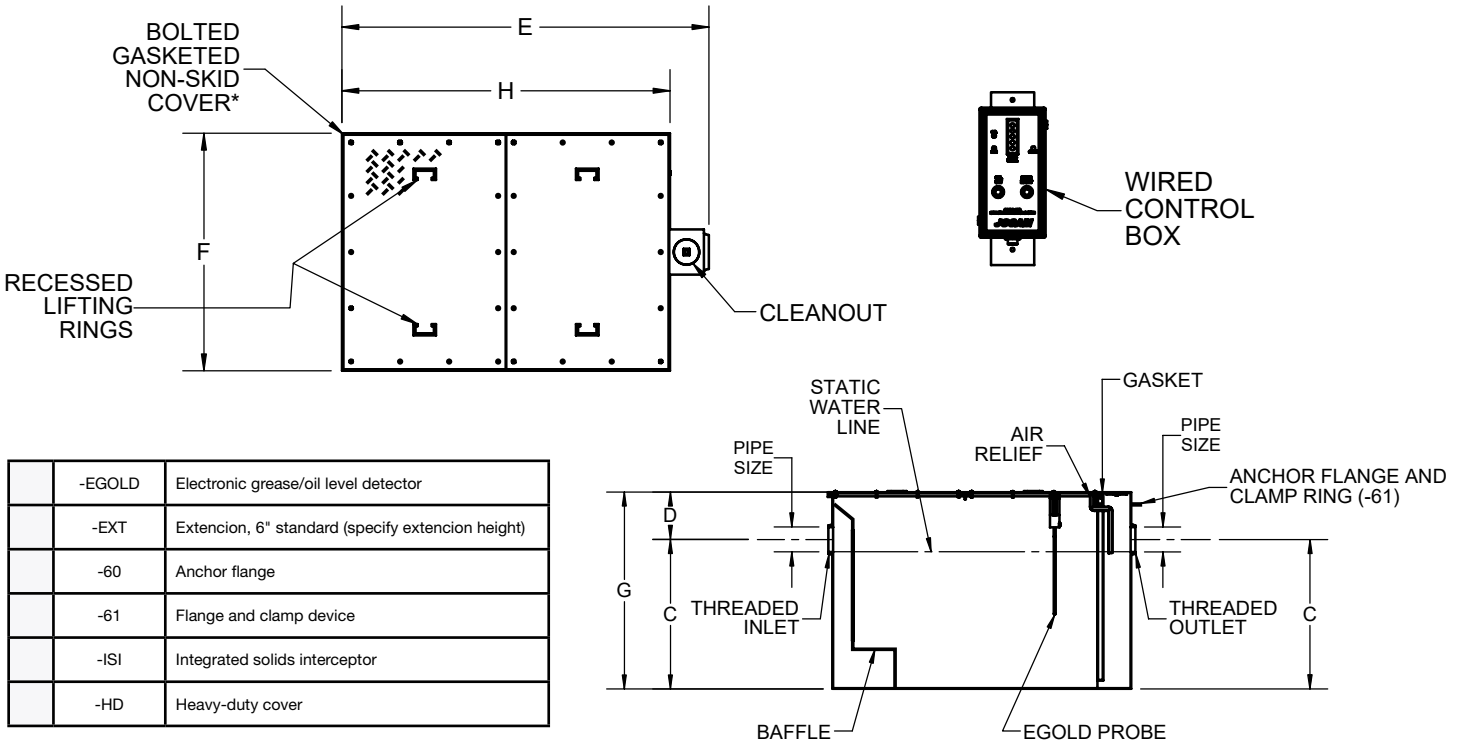
Grease Interceptor Manual High-Volume Type

Specification

Josam 60210A-EGOLD series acid resistant epoxy coated fabricated steel grease interceptor, with high volume threaded connections, internal air-relief, visible double wall trap, removable diffuser baffle, gasketed non-skid cover, flow control fitting and factory installed Josam EGOLD-1000 electronic grease/oil level detector.



*This size furnished with one-piece cover.



-EGOLD	Electronic grease/oil level detector
-EXT	Extension, 6" standard (specify extension height)
-60	Anchor flange
-61	Flange and clamp device
-ISI	Integrated solids interceptor
-HD	Heavy-duty cover

Type	Flow rate	Cap LBS	Pipe size	C	D	E	F	G	H	EGOLD Model NO.
60213A-EGOLD*	150	300	4	27	8	60	39	35	53	EGOLD-1000-16
60214A-EGOLD	200	400	5	31-1/2	10	67	42	41-1/2	58	EGOLD-1000-16
60215A-EGOLD	250	500	5	35-1/2	10	72	46	45-1/2	63	EGOLD-1000-21
60216A-EGOLD	350	700	6	39-1/2	12	80	52	51-1/2	71	EGOLD-1000-21
60217A-EGOLD	500	1000	6	43-1/2	12	91	59	55-1/2	82	EGOLD-1000-21

Josam product specifications in U.S. customary units are approximate and provided for reference only. For precise measurements, please contact Josam Technical Support. Josam reserves the right to change or modify product design, construction, specifications, or materials without prior notice and without incurring any obligation to make such changes and modifications on Josam products previously or subsequently sold.

Notes:



A WATTS Brand