

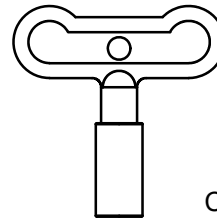
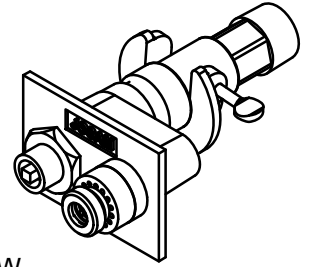
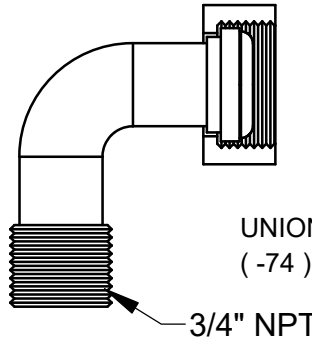
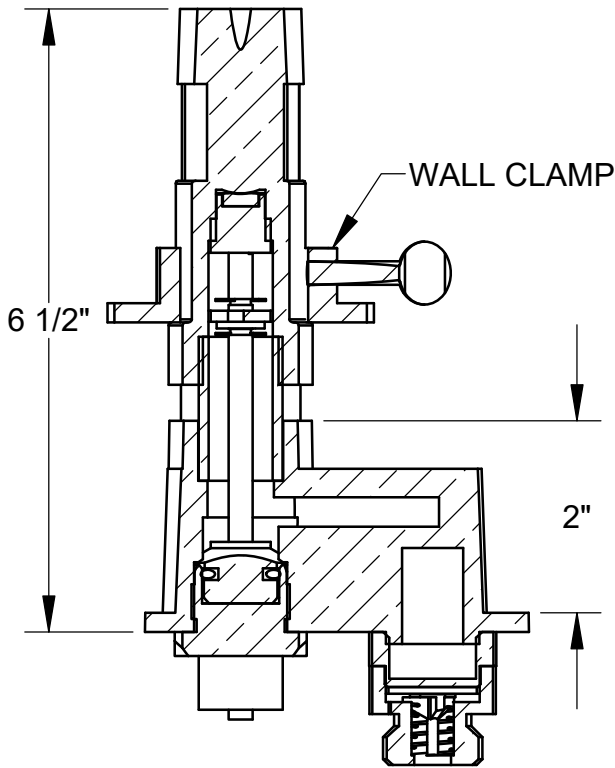
SPECIFICATION:

CAD DRAWING FOR HYDRANT.

**HYDRANT
CAD DRAWING**

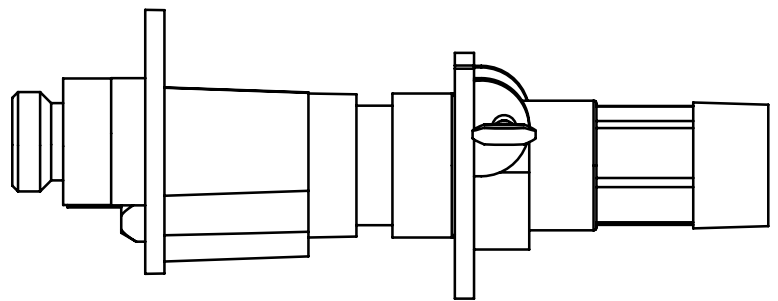
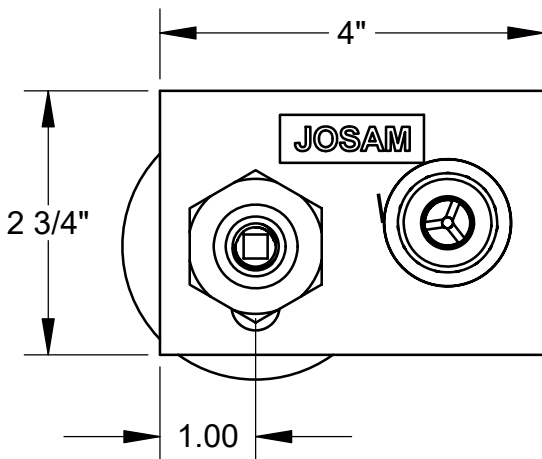
SERIES

71050



CONTROL KEY USED TO OPEN COVER AND OPERATE HYDRANT

DISCONTINUED PART - DRAWING IS REF. ONLY



WALL OPENING 2-3/8" x 4"

WARNING: Cancer and Reproductive Harm - www.P65Warnings.ca.gov

DATE OF LAST CHANGE: 05/23/18

DIMENSIONS ARE SUBJECT TO MANUFACTURERS TOLERANCES AND CHANGE WITHOUT NOTICE. WE CAN ASSUME NO RESPONSIBILITY FOR USE OF SUPERSEDED OR VOID DATA.



MICHIGAN CITY, INDIANA

NOTES