

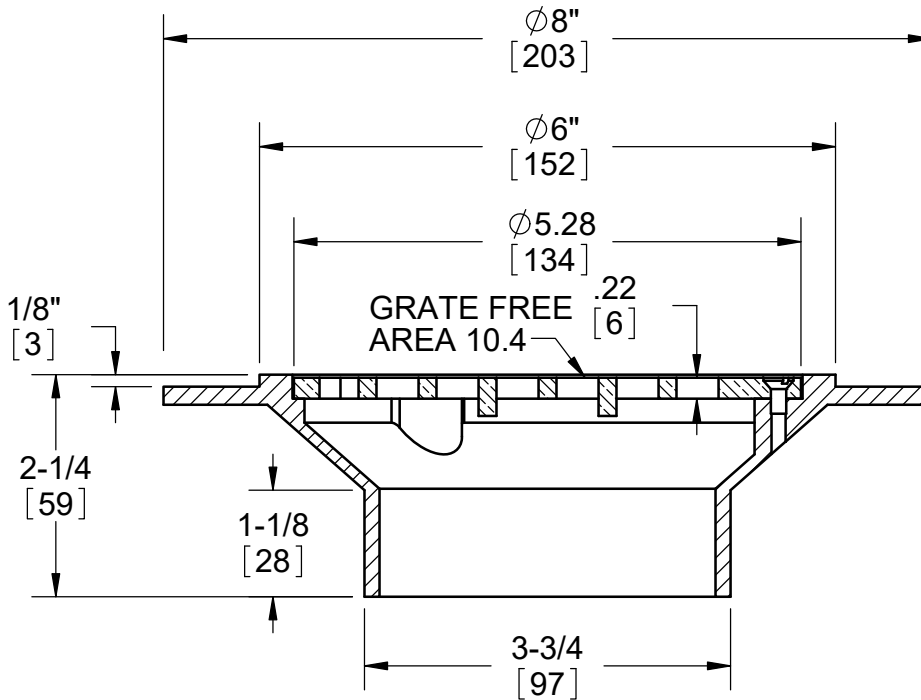
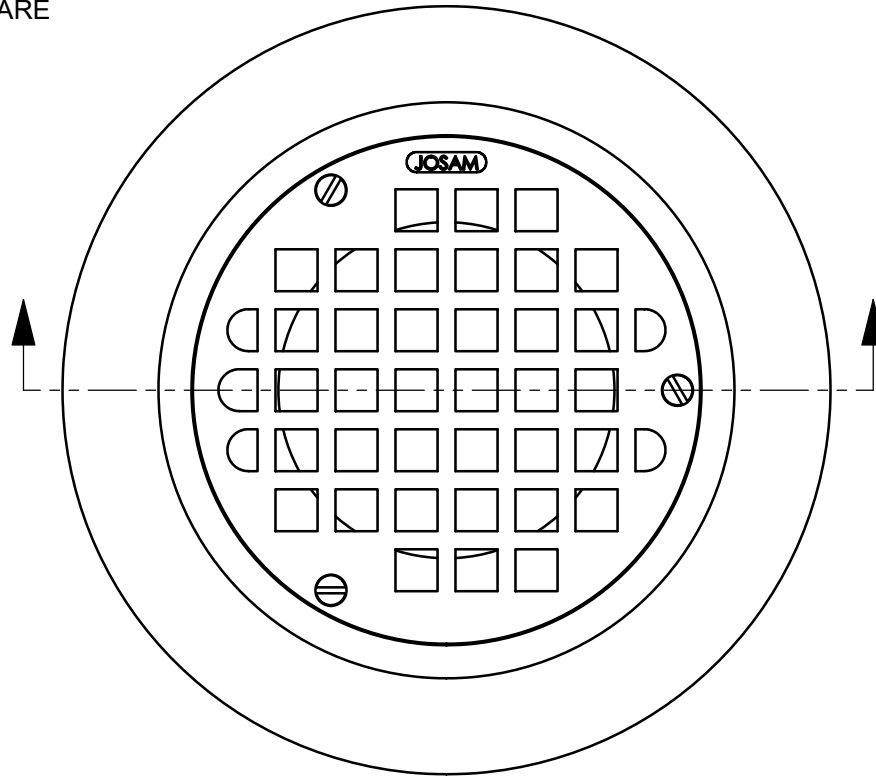
**SPECIFICATION:**

JOSAM SERIES "AF" ADJUSTABLE SATIN FINISH NIKALOY ROUND STRAINER WITH WIDE FLANGE, THREADED WITH JOSAM ADJUSTABLE STRAINER THREAD.

**FLOOR DRAIN  
ADJUSTABLE STRAINER**

SERIES **AF**

SLOT SIZE 7/16" SQUARE  
MEETS ADA REQS.



WARNING: Cancer and Reproductive Harm - www.P65Warnings.ca.gov

-2	BRONZE ADJUSTABLE STRAINER	-J	BACKWATER VALVE
-80	PERFORATED STAINLESS STEEL BASKET	-VP	SECURED GRATE, VANDAL-PROOF SCREWS
-TSI	TRAP SEAL INSERT		

DATE OF LAST CHANGE: 03/13/19

DIMENSIONS ARE SUBJECT TO MANUFACTURERS TOLERANCES AND CHANGE WITHOUT NOTICE. WE CAN ASSUME NO RESPONSIBILITY FOR USE OF SUPERSEDED OR VOID DATA.

**JOSAM**

MICHIGAN CITY, INDIANA

NOTES