

SPECIFICATION:

JOSAM SERIES "D" ADJUSTABLE SATIN FINISH NIKALOY ROUND DOMED STRAINER, THREADED WITH JOSAM ADJUSTABLE STRAINER THREAD.

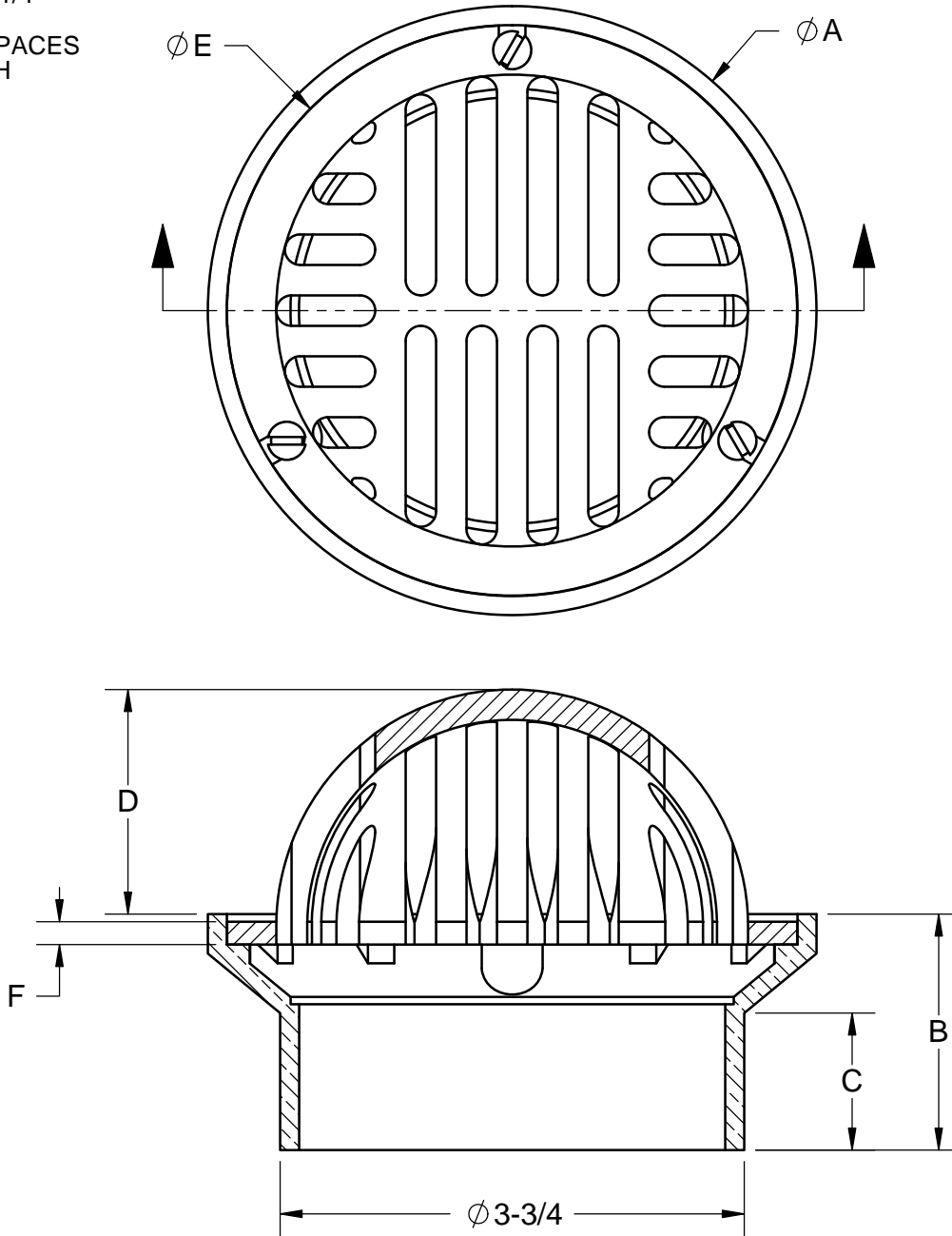
**FLOOR DRAIN
ADJUSTABLE STRAINER**

SERIES

D

SLOT WIDTH 1/4

ALL RIBS & SPACES
EQUAL WIDTH



	TYPE NO.	A	B	C	D	E	F	FREE AREA	LBS.
	5D	5	1-7/8	1	1-7/8	4-3/4	3/16	8.1	2
	6D	6	2-1/4	1	1-3/4	5-1/4	7/32	8.1	3

-2	BRONZE ADJUSTABLE STRAINER	-J	BACKWATER VALVE
-80	PERFORATED STAINLESS STEEL BASKET	-VP	SECURED GRATE, VANDAL-PROOF SCREWS

DATE OF LAST CHANGE: 7/14/2010

DIMENSIONS ARE SUBJECT TO MANUFACTURERS TOLERANCES AND CHANGE WITHOUT NOTICE. WE CAN ASSUME NO RESPONSIBILITY FOR USE OF SUPERSEDED OR VOID DATA.

JOSAM COMPANY
MICHIGAN CITY, INDIANA

NOTES