

**SPECIFICATION:**

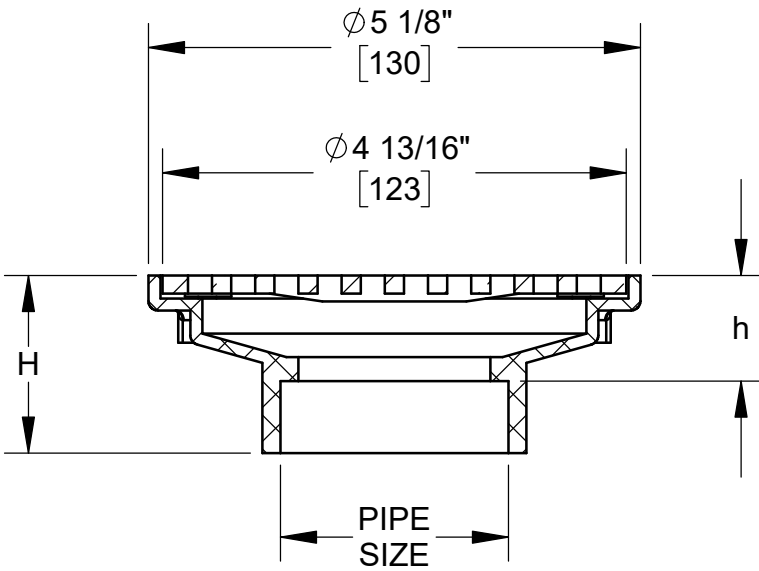
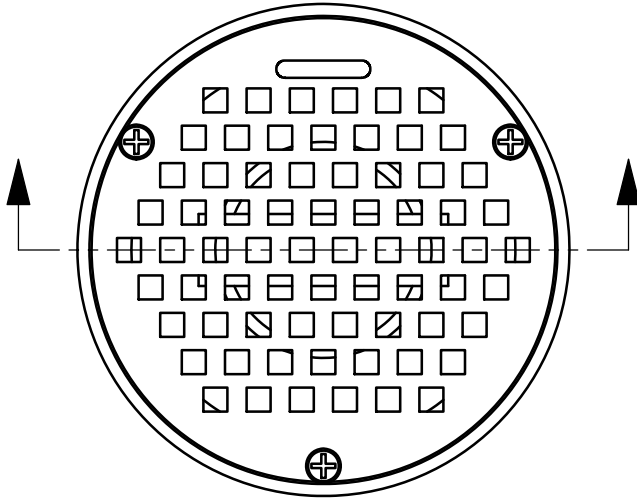
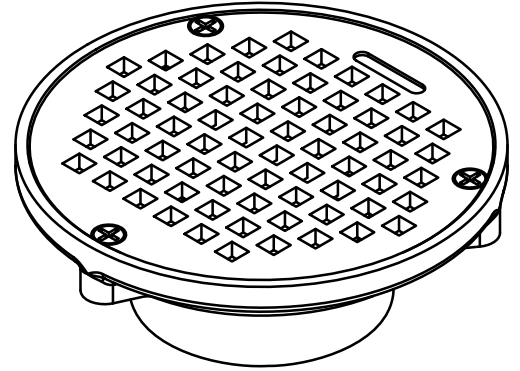
JOSAM FD-500 SERIES PVC NON-ADJUSTABLE FLOOR DRAIN WITH 5" ROUND NIKALOY TOP AND SOLVENT WELD BOTTOM OUTLET.

**FLOOR DRAIN**

PVC

SERIES **FD-500-J5NB**

STRAINER OPENINGS = 1/4" SQ.  
SPECIFY BODY OPTIONS BELOW.



**BODY:**

MODEL	PIPE SIZE	H	h
FD-502	2"	1-7/8	1-1/8
FD-503	3"	2-5/8	1
FD-504	4"	2-1/2	3/4

WARNING: Cancer and Reproductive Harm - www.P65Warnings.ca.gov

DATE OF LAST CHANGE: 06/27/18

DIMENSIONS ARE SUBJECT TO MANUFACTURERS TOLERANCES AND CHANGE WITHOUT NOTICE. WE CAN ASSUME NO RESPONSIBILITY FOR USE OF SUPERSEDED OR VOID DATA.



MICHIGAN CITY, INDIANA

NOTES