

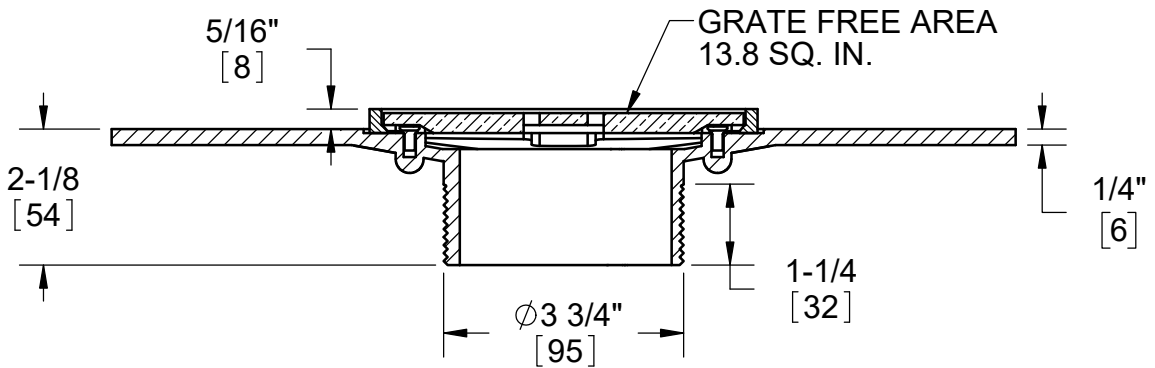
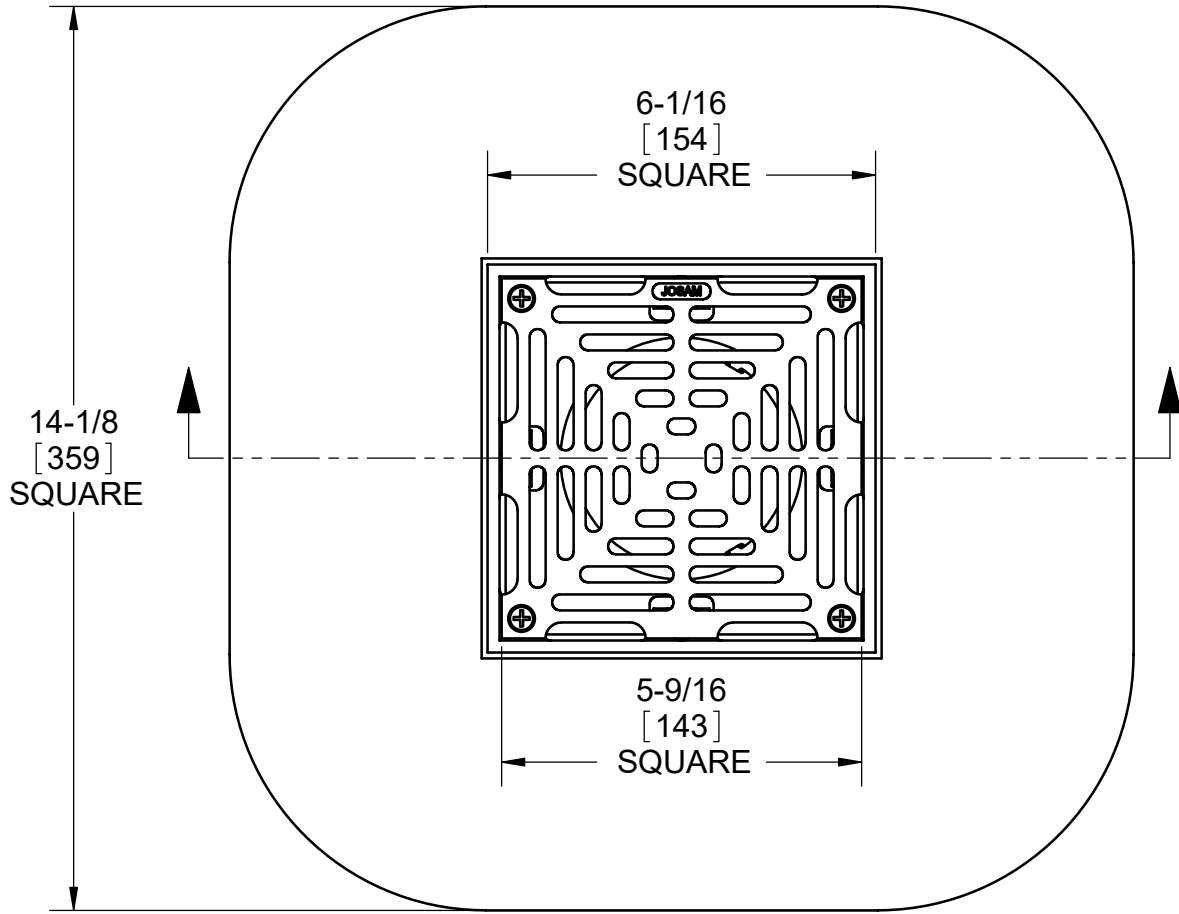
SPECIFICATION:

JOSAM SERIES WF6S ADJUSTABLE COATED CAST IRON SQUARE GRATE, WIDE FLANGE STRAINER BODY, WITH SQUARE SATIN FINISH NIKALOY SUPER-FLO RIM AND GRATE, THREADED WITH JOSAM ADJUSTABLE STRAINER THREAD.

**FLOOR DRAIN
ADJUSTABLE STRAINER**

SERIES **WF6S**

SLOT SIZE 1/4" (ADA AND HEEL-PROOF) FREE AREA: 13.8 SQ. IN.



-2	BRONZE
-80	PERFORATED STAINLESS STEEL BASKET
-J	BACKWATER VALVE
-VP	SECURED GRATE, VANDAL-PROOF SCREWS
-TSI	TRAP SEAL INSERT

WARNING: Cancer and Reproductive Harm - www.P65Warnings.ca.gov

DATE OF LAST CHANGE: 03/12/19

DIMENSIONS ARE SUBJECT TO MANUFACTURERS TOLERANCES AND CHANGE WITHOUT NOTICE. WE CAN ASSUME NO RESPONSIBILITY FOR USE OF SUPERSEDED OR VOID DATA.



MICHIGAN CITY, INDIANA

NOTES