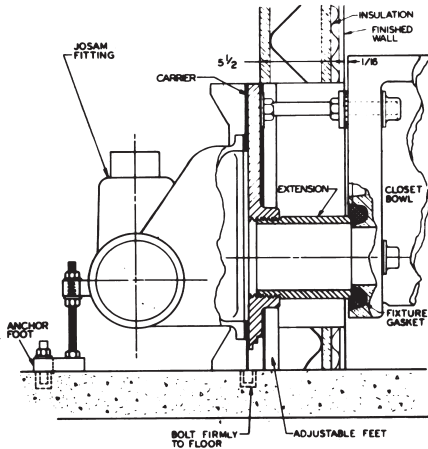
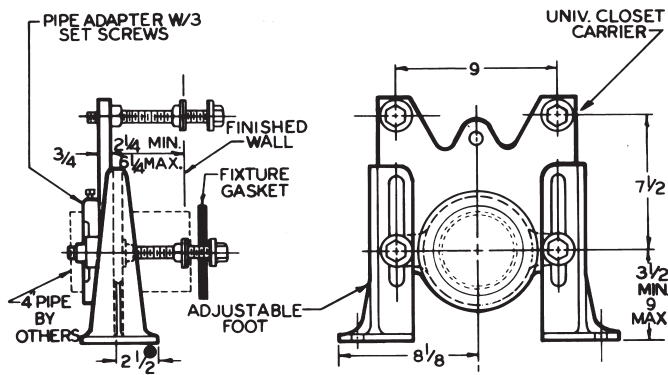


CLOSET CARRIERS

Installations

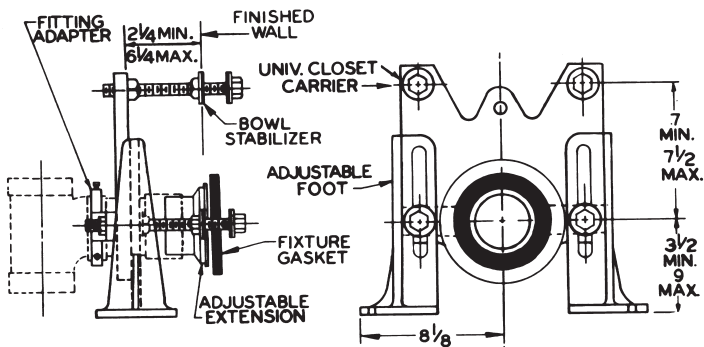


Typical installation of the 12000-PF Series Carrier.



Parts shown dotted, provided by others.

11001 Closet Carrier modified with pipe grip adapter for securing 4 inch pipe furnished by others. **\$292.00**



Parts shown dotted, provided by others.

11007 Closet Carrier with 3 inch copper fitting adapter for use with siphon jet or blowout water closets. **\$314.00**

11008 Closet Carrier with 4 inch copper fitting adapter for use with siphon jet or blowout water closets. **\$314.00**

Nipple Selection

The key to pipe chase width adaptability of the -32 Wide Chase Carriers and the component that makes them universal for all installation conditions is the 4 inch NPT nipple that connects the coupling of the carrier assembly to the adjustable fitting faceplate. This nipple is furnished by others, and the recommended length can be determined by using the chart below.

To provide proper fixture support, the carrier should be set directly behind or within the wall. To accomplish this in wide pipe chases with DWV piping either centered or offset, it is necessary to separate carrier and drainage fitting as required with nipples that are longer than 2-7/8". The minimum dimension (A*) was determined using a 2-7/8" length nipple. Nipples ranging in length from 2-7/8" to 12" in 1 inch increments are identified on this page for specification when such construction conditions are encountered.

-32 OPTION RECOMMENDED LENGTH NIPPLES (BY OTHERS)

A*	Minimum Chase	Length Nipple to Use
	9-1/4	2-7/8
	10-1/4	4
	11-1/4	5
	12-1/4	6
	13-1/4	7
	14-1/4	8
	15-1/4	9
	16-1/4	10
	17-1/4	11
	18-1/4	12

Recommended Pipe: 4" Galvanized Steel

NIPPLE LENGTH DRAWING

