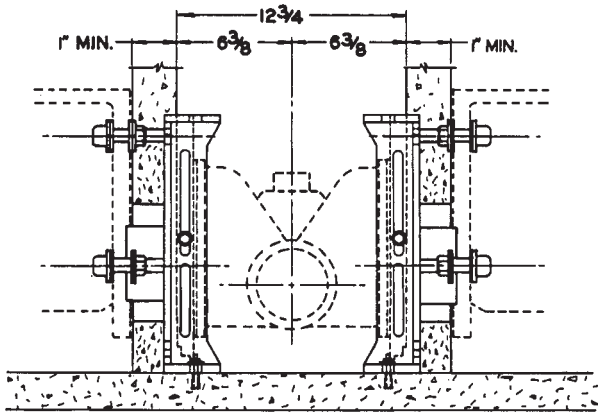
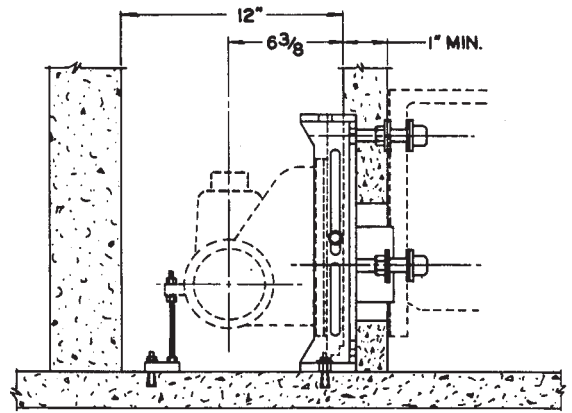


CLOSET CARRIERS

Adjustable Carrier Installations



Installation of back-to-back 12000-PF Series Carrier showing minimum extension.



Installation of 12000-PF Series Carrier in a standard 12" wide pipe chase showing minimum extension.

Bowl To Carrier Installation

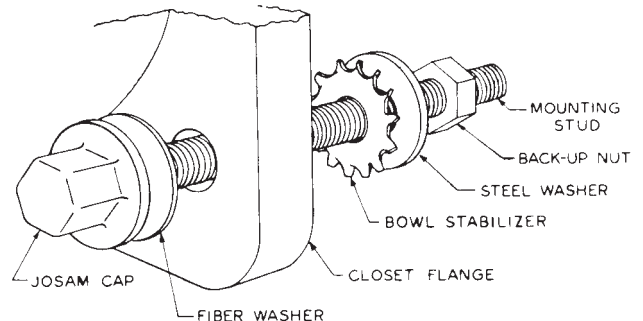
To set bowl using finished hardware group "FH," put a hex nut, back-up washer, and a bowl stabilizer on each mounting stud.

Adjust with front of back-up nut and washer at finished wall line.

If the back-up nut and washer are moved to clear irregularities in the finished wall, the extension MUST be adjusted an equal amount.

Place fixture gasket in toilet outlet and hang closet. Assemble fiber washers and JOSAM cap nuts to two studs on the center line of the closet outlet and one other stud below and tighten with a wrench.

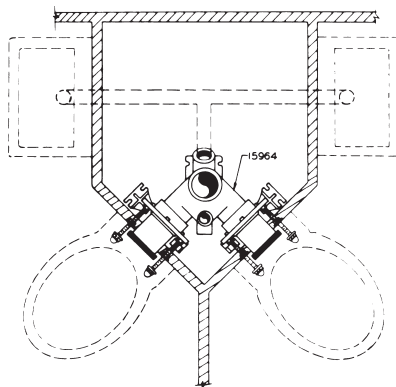
Assemble fiber washer and JOSAM cap nut to remaining stud, hand tighten and take 1/2 turn with a wrench.



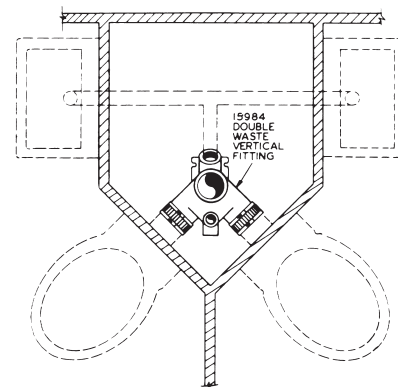
FH Hardware Part #: 565985T

Installations 90° Double Waste Fitting 15964 & 15984 Series

Installations of 15964 and 15984 Series double vertical 90° no-hub fittings where a closet and lavatory are installed in each room with one stack serving two rooms.



15964 SERIES SHOWN IN A TYPICAL ROOM BACK DISCHARGE TOILET FACILITY



15984 DOUBLE WASTE VERTICAL FITTING SHOWN INSTALLED IN A TYPICAL ROOM BOTTOM DISCHARGE TOILET FACILITY LAYOUT