

CLOSET CARRIERS

-32 WIDE CHASE CARRIER Features

JOSAM -32 Wide Chase Carrier is universal for all applications in any type of construction, providing positive support for either siphon jet or blowout off-the-floor closets whether construction involves monolithic floors, minimum or maximum floor fills and high or low roughing. The carrier assembly, separate from the fitting and face plate assembly, is ideally suited for installation in wide chases as it can be positioned in or immediately behind the wall where the closet support should be, regardless of stack or drainage line location. The -32 Carrier comes from the factory shrink wrapped and partially assembled for convenient storage until required for use with any JOSAM adjustable fitting and face plate assembly.

12000 CARRIER BODY

Compact cast iron heavy-duty construction, invertible with break-off sections to provide various roughing heights to meet all drainage and pitch requirements for waste line.

ANCHOR FOOT

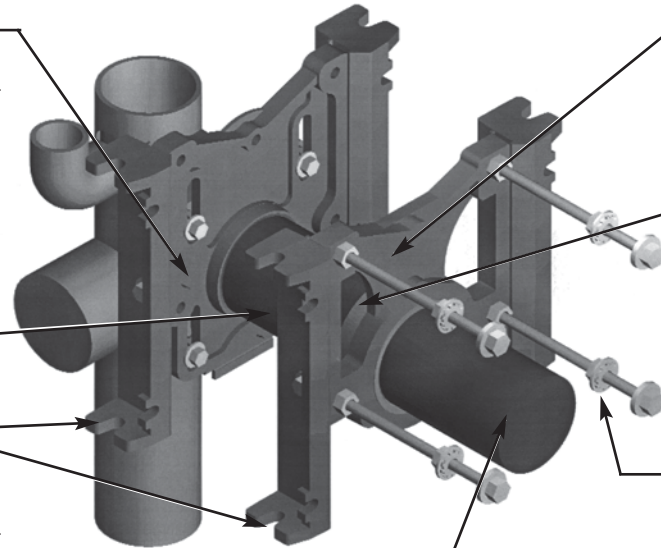
Cast iron, rotatable foot is secured to back of fitting by means of fully threaded rod for complete adjustment.

NPT NIPPLE

Provided by others.

PYLON FEET

Heavy-duty cast iron, compact, invertible (same foot both sides – no rights and lefts) outboard side mount for easy access to all assembly hardware. (Same foot as our standard 12000 Series Carrier.)



ADJUSTABLE EXTENSION

High strength ABS plastic with built-in test cap, assembled to body with positive taper threads, easily cut to desired length. Furnished 7" long standard for 1" minimum to 5-1/2" maximum dimension and 12" long, (specify -10 Option) for 10-1/2" maximum dimension. Cast iron extensions are available on special order.

12000-32 CARRIER BODY

Compact cast iron heavy-duty construction, invertible and provides various roughing heights to meet all drainage and pitch requirements for waste line.

COUPLING

Heavy-duty cast iron coupling, threaded to allow connection between nipple and ABS extension.

FIXTURE GASKET

JIFFEE-SEAL Neoprene Gasket fits all closet gasket recesses.

BOWL STABILIZER BACK-UP WASHERS

Provide gripping power necessary to prevent water closet from settling out of installed location over a prolonged period of time.

SPECIFICATION: JOSAM -32 coated cast iron Wide Chase Closet Carrier with adjustable closet connection, adjustable pylon feet, ABS extension with integral test cap, chrome plated trim, coated accessories and JIFFEE-SEAL Neoprene fixture gasket, for use with blowout or siphon jet water closets.

