

# CLOSET CARRIERS

## Advantages of Off-The-Floor Plumbing Fixtures

### WHY OFF-THE-FLOOR PLUMBING FIXTURES?

The reasons are many – including aesthetics, installation, cost, maintenance and sanitation. This concept in modern plumbing has been acknowledged for many years by leading architects, engineers and mechanical contractors to be far superior in all respects to systems with floor-mounted fixtures. The more significant advantages of off- versus on-the-floor plumbing fixtures and their required support and drainage systems are presented on these pages for your consideration when specifications are written.

### AESTHETICS

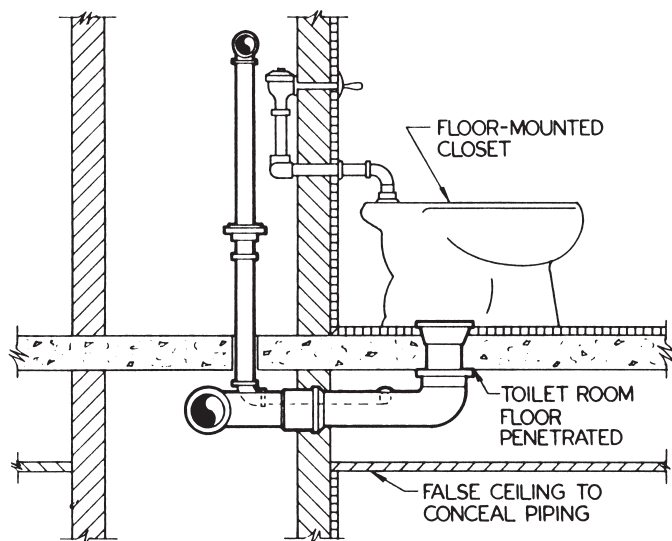
In keeping with the current trends of architectural design toward smooth, uncluttered lines, off-the-floor plumbing fixtures are the necessary practical complement in toilet and restroom décor. Victorian pedestals and unsightly floor-mounted closets of a bygone year cannot be aesthetically integrated in contemporary designs.

### INSTALLATION

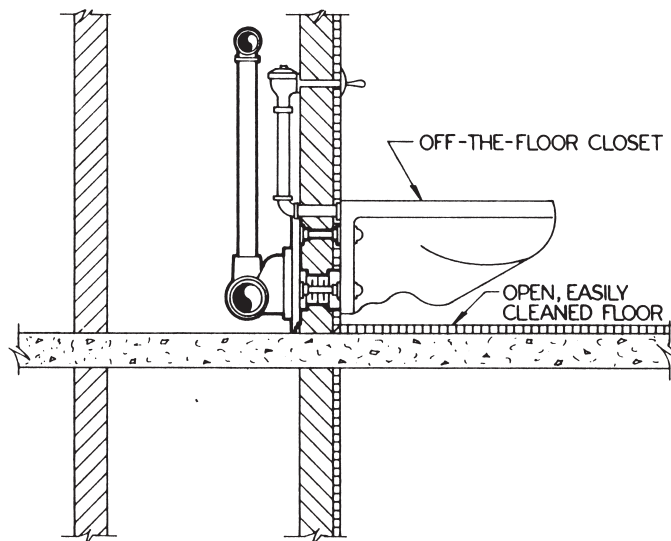
Many factors, including cost, material, labor required, space, handling and others must be thoroughly evaluated when planning an installation. With on-the-floor water closets, slabs must be penetrated and sleeved at each fixture to accommodate waste piping which, in many instances, has to be suspended below the slab.

Such suspended piping requires concealment in multi-story installations, thereby necessitating drop or furred ceilings in the rooms below. The fitting and assembly of waste piping in such installations, as a rule, must be accomplished on the spot with the aid of scaffolding and extra mechanics, which contributes to high construction costs and affects not only the mechanical contractor but the structural, floor, wall and ceiling mechanics as well.

Conversely, with off-the-floor fixtures, there is no slab penetration in toilet room areas. The support and piping systems are concealed behind the walls. Such systems are ideally suited to the modern modular plumbing concept as they are readily fabricated either on site or in the contractor's shop at significant savings over conventional piece-by-piece assembly. A well planned and executed off-the-floor fixture installation today will provide lasting benefits appreciated by future building occupants and owners.



ON-THE-FLOOR WATER CLOSET



OFF-THE-FLOOR WATER CLOSET

### MAINTENANCE AND SANITATION

The benefits of off-the-floor plumbing will immediately become evident to those involved in maintenance. Mechanically, off- and on-the-floor plumbing installations are similar in terms of service required. However, when service is necessary, it is generally agreed that off-the-floor fixtures and attendant systems are more easily maintained. With no obstructions, daily floor cleaning is accomplished more effectively in far less time than needed to work around on-the-floor fixtures.

Toilet rooms are the most susceptible of all rooms to unsanitary conditions. Therefore, sanitation should be the foremost consideration in the design of such rooms. On-the-floor fixtures, regardless of their efficiency or manufacture, provide natural harbors at the base for accumulated filth, which is virtually impossible to remove, never allowing total sanitation. The ever-present problem of floor deterioration adjacent to and under on-the-floor fixtures is completely eliminated with off-the-floor installations. Off-the-floor plumbing fixtures eliminate this potential health hazard, and toilet room floors are clear of obstructions which hamper efforts to achieve proper sanitary maintenance. Another advantage of off-the-floor fixtures is that they provide much greater rentable or usable floor space than do on-the-floor fixtures, and that is a factor which should be considered when fixture selection is made. The specification of off-the-floor fixtures will prove to be a wise and practical decision.