

CLOSET CARRIERS

Advantages of Off-The-Floor Plumbing Fixtures

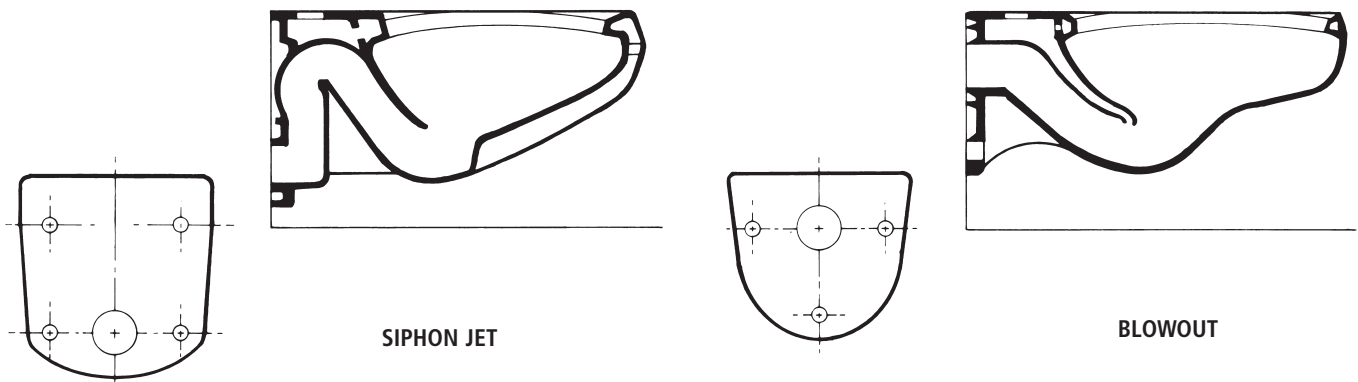
SUPPORT & DRAINAGE SYSTEMS

When JOSAM entered into the manufacturing of off-the-floor plumbing fixture carriers and fittings, extensive research was conducted into the requirements for support and discharge of these fixtures. From this research, the design of the JOSAM line of carriers and fittings evolved, including such innovations as invertible carriers to mount either siphon jet or blowout water closets, common vents on back-to-back fittings, dual feet on closet carriers to accommodate all fixture roughing heights in any floor construction and many others.

Our innovations have been copied, but not equaled, and they paved the way for universal acceptance of this line of products. In the ensuing years, this product line has been expanded to meet new requirements as they develop in the dynamic construction industry. The result is today's most comprehensive range of products for off-the-floor plumbing fixture support and drainage.

TYPES OF WATER CLOSETS

Prior to the introduction of JOSAM universal carriers, it was necessary to specify carriers for each specific type of water closet. Even though JOSAM has taken this task out of carrier specifications, water closet types should be understood. There are two basic types of water closets, identifiable by their flushing action, that are normally used in commercial installations requiring carriers. These are siphon jet and blowout action water closets. The siphon jet bowl is attached to the carrier with four mounting studs arranged in a rectangular pattern, point down. By inverting the carrier body, JOSAM carriers accommodate either type. Both siphon jet and blowout type water closets are also produced in floor-mounted wall-outlet pattern and require special drainage fitting connections.



This type, because of its quiet, efficient, sanitary flushing action, is usually specified in most commercial, institutional and hotel applications. Water is introduced into the bowl through the rim and up leg of trap through jets placed there to fill the trapway thus creating siphonic action to quickly evacuate the bowl. The large water surface in the bowl insures sanitation.

This type is particularly suited to heavy use applications such as public facilities in stadiums and terminals. The flushing action produced by the jet of water in the outlet passage is strong for rapid evacuation of the bowl. Fouling problems are minimal. However, because of the powerful flushing action, this type of closet is noisy to operate.

ONE CARRIER FOR SIPHON JET OR BLOWOUT

CHASE-SAVER® is shipped pre-assembled for siphon jet closets and is quickly inverted for use with blowout closets.

