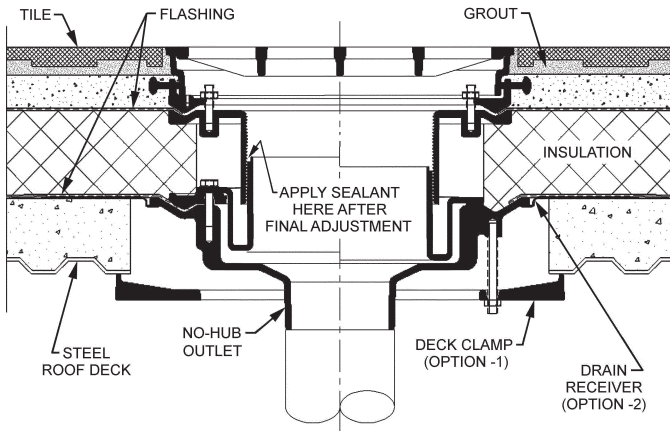
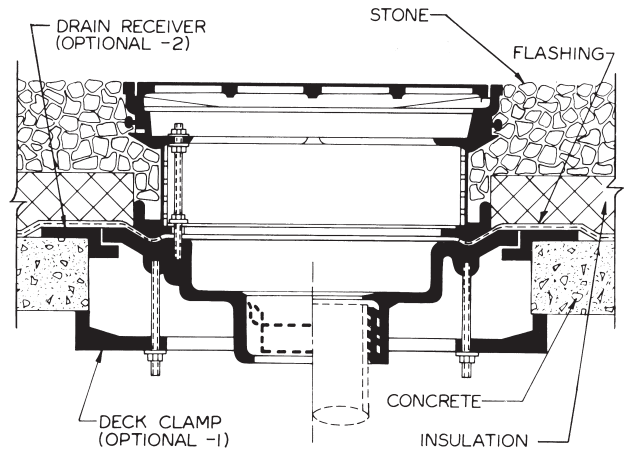


ROOF DRAINS

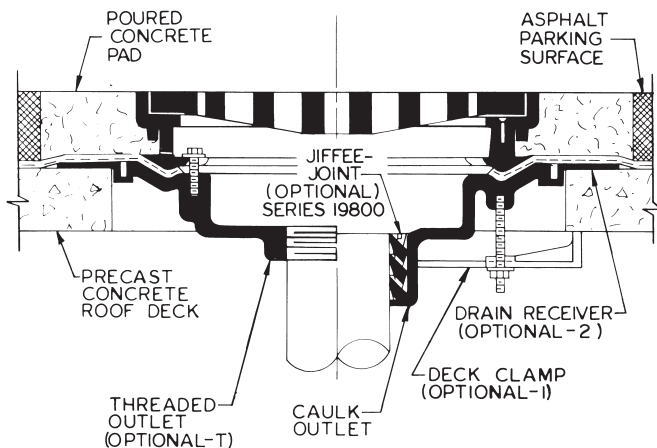
Typical Installations



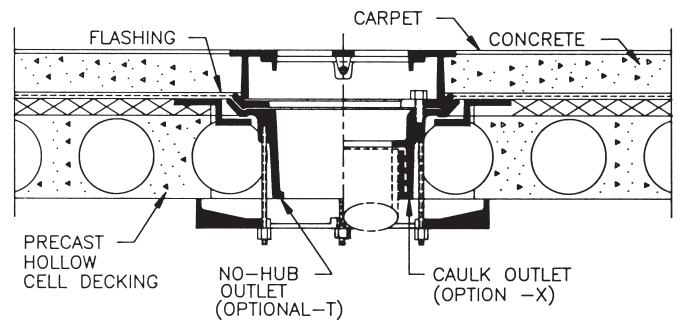
23500-AE Series promenade Roof Drain shown installed in a steel-supported built-up roof deck system.



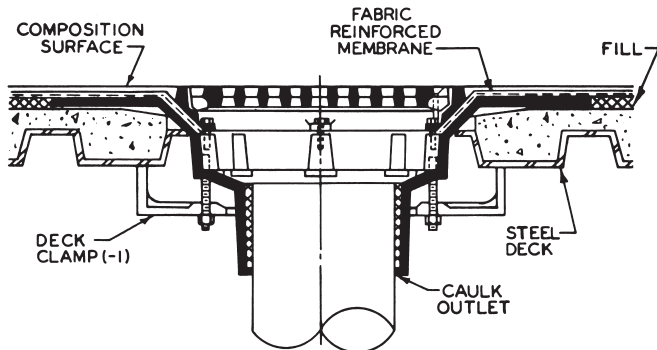
23500-IRMA Series large sump Roof Drain shown installed in a typical insulated roof membrane system.



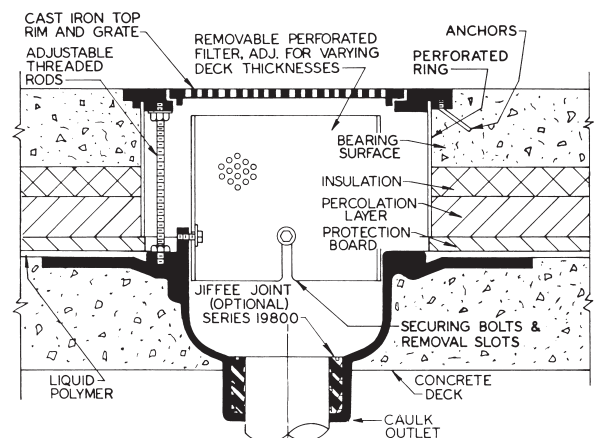
23510 Series Promenade Roof Drain with parking grate shown installed in a precast concrete roof deck which supports an asphalt parking surface.



23730 Series promenade Roof Drain shown installed in a precast, hollow cell deck, supporting a carpeted concrete promenade surface.



24020 Series SUPER-FLO® Composition Deck Drain shown installed in a steel deck-concrete system with a reinforced waterproofing membrane clamped between the body and bolted membrane clamp ring. Membrane is directly under composition deck material assuring that a waterproof bond is made.



24200 Series ALL-LEVEL Drain shown installed in an all-level drainage promenade deck with drain body bonded to polymer layer to insure watertight installation.